

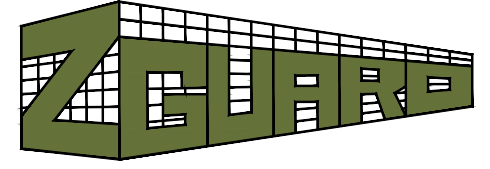
1 Z8 DOUBLE PLAN
A1 1:20

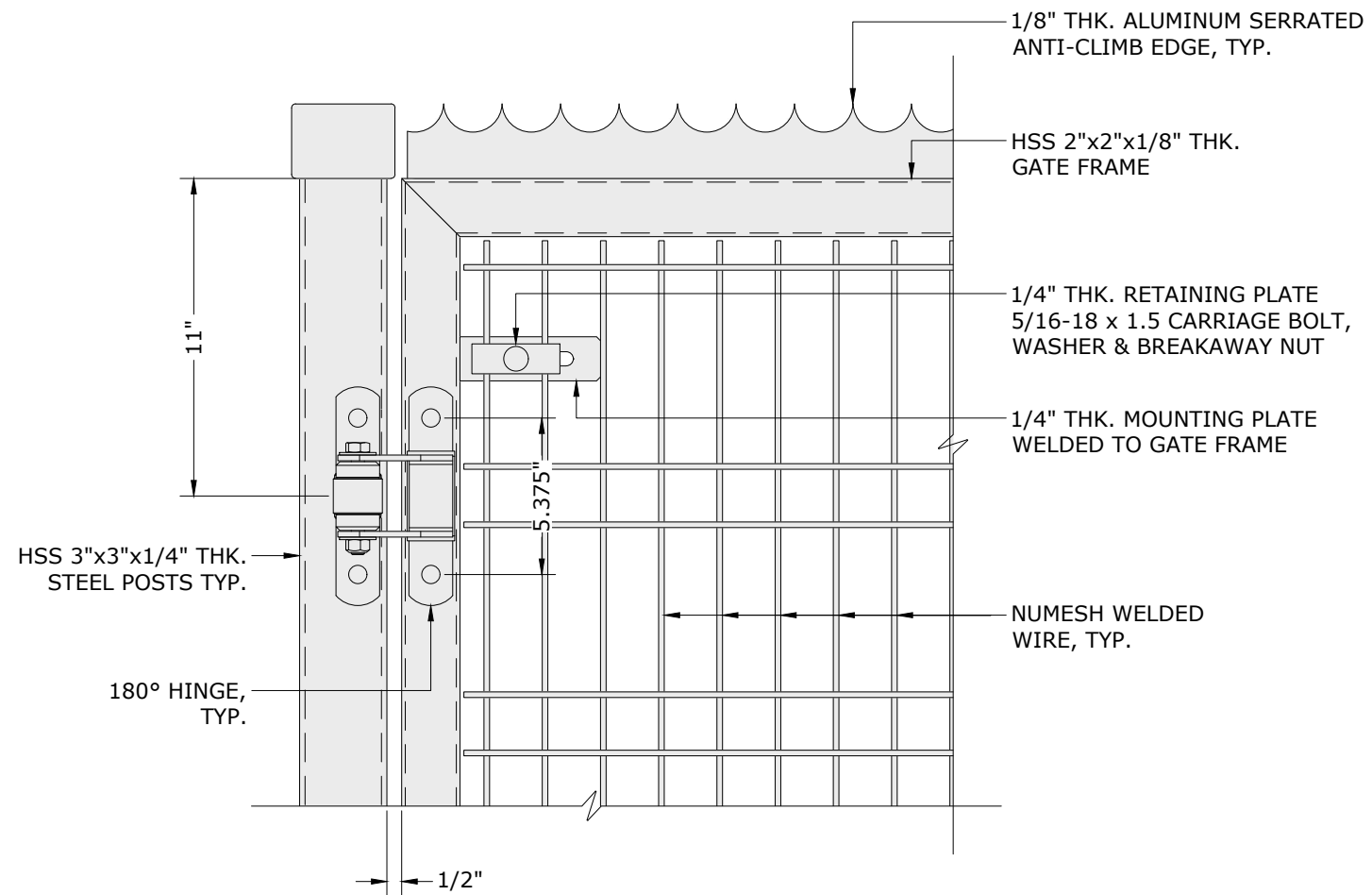
2 Z8 DOUBLE GATE ELEVATION
A1 1:20

FOUNDATION NOTES:

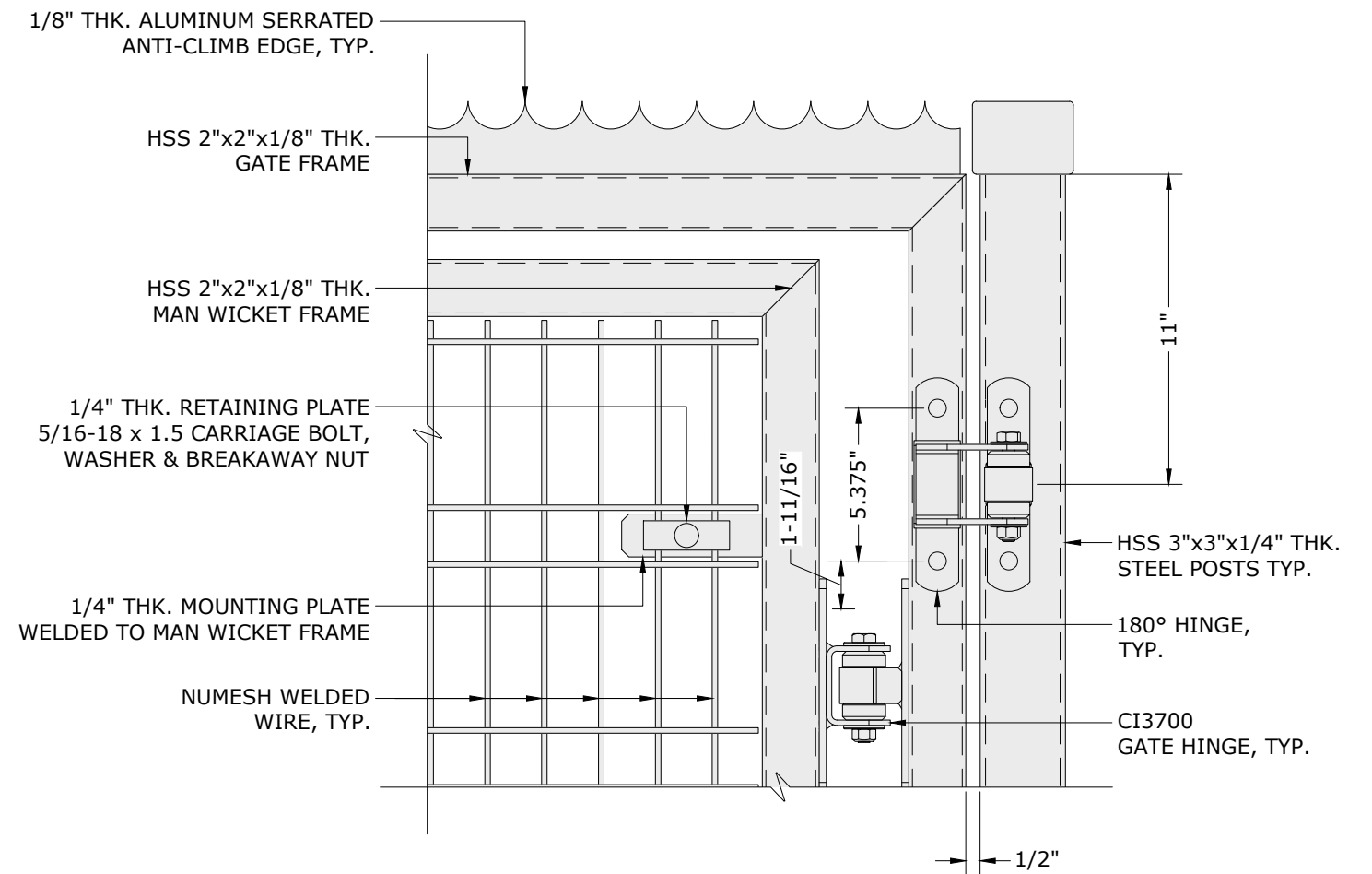
- FOUNDATION DESIGN OF THE FENCE AND GATES FOR EACH PROJECT SITE MUST BE DESIGNED BY A PROFESSIONAL ENGINEER BASED ON ACTUAL SOIL CONDITIONS OF THE PROJECT SITE. FOUNDATION DESIGN SHOWN ON THE DRAWINGS ARE CONCEPTUAL, FOR REFERENCE PURPOSES ONLY.
- FOUNDATION DESIGNS SHOWN ON THE DRAWINGS, WHICH ARE CONCEPTUAL ONLY, ARE BASED ON THE FOLLOWING ASSUMPTIONS:
 - POLE BASE FOOTINGS ARE ASSUMED TO BE FOUNDED IN UNDISTURBED NATIVE COHESIONLESS SOIL, DENSE OR MEDIUM DENSE (N>15), OR UNDISTURBED NATIVE SOIL WITH EQUIVALENT OR HIGHER GEOTECHNICAL RESISTANCE.
 - GRADE ELEVATIONS ON EACH SIDE OF THE FENCE ARE ASSUMED TO BE LEVEL.
 - FROST DEPTH OF THE PROJECT SITE IS ASSUMED TO BE NOT MORE THAN 5FT.

Description:	Sheet No:
Z8 DOUBLE GATE	A 1

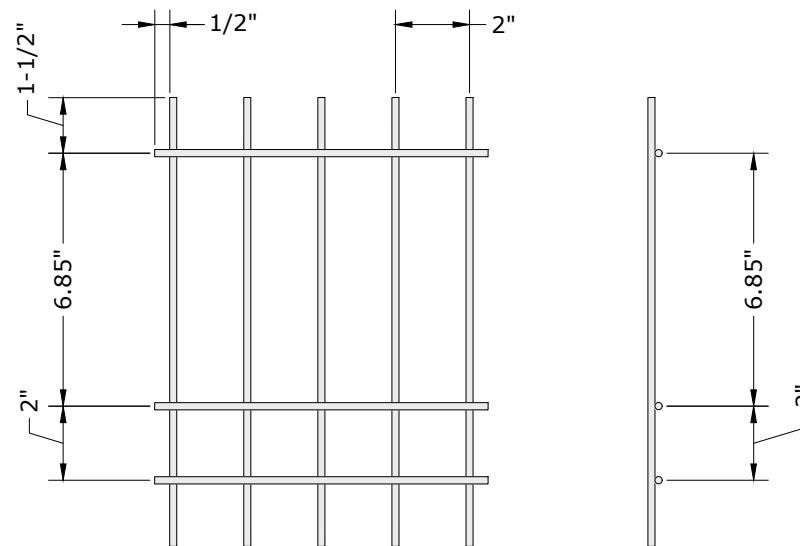




1 Z8 DOUBLE GATE ASSEMBLY DETAIL
A2 1:6

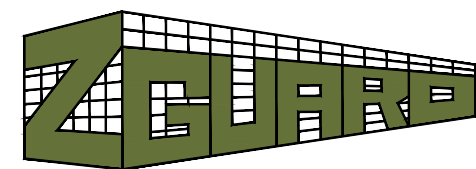


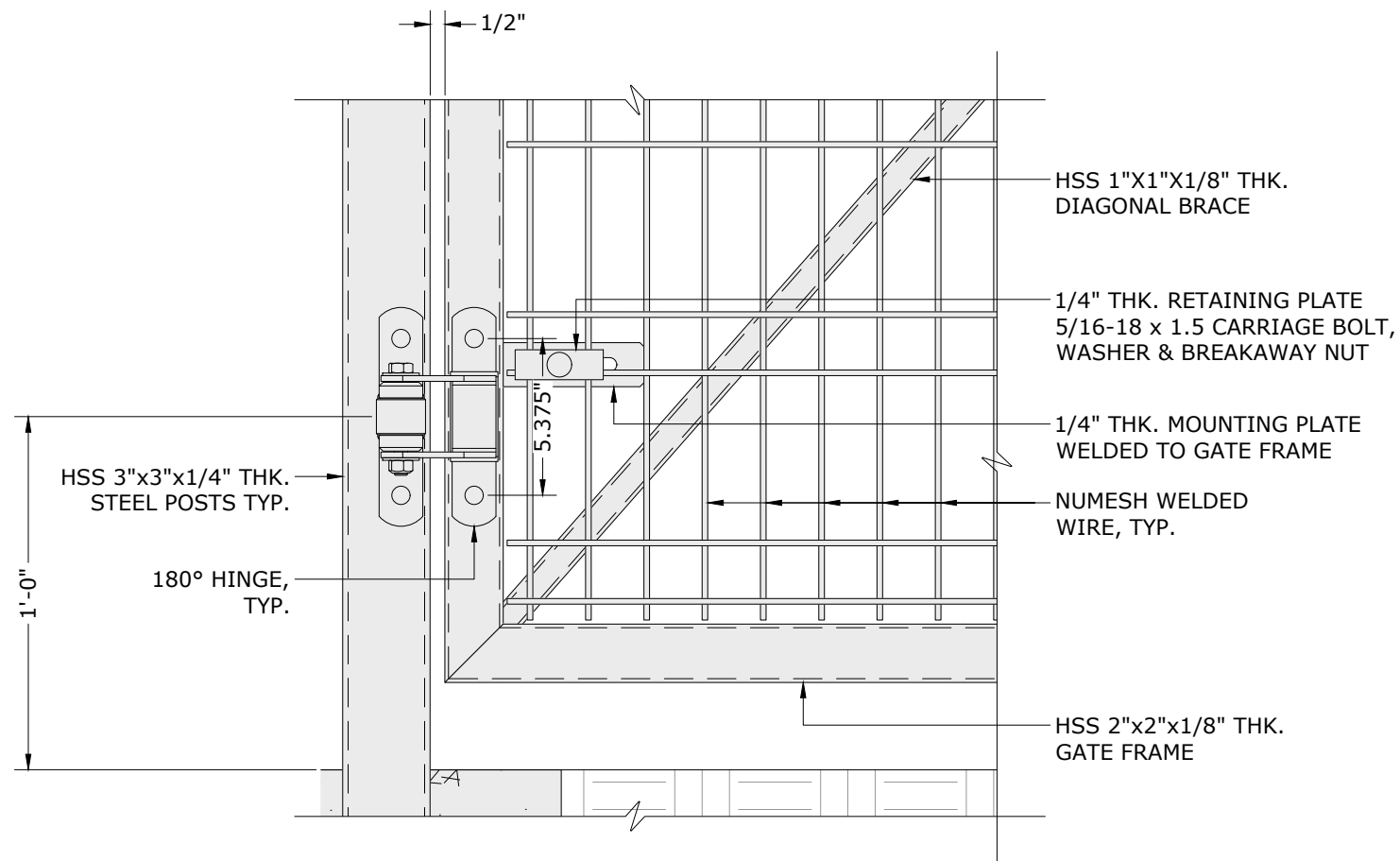
2 Z8 DOUBLE GATE ASSEMBLY DETAIL
A2 1:6



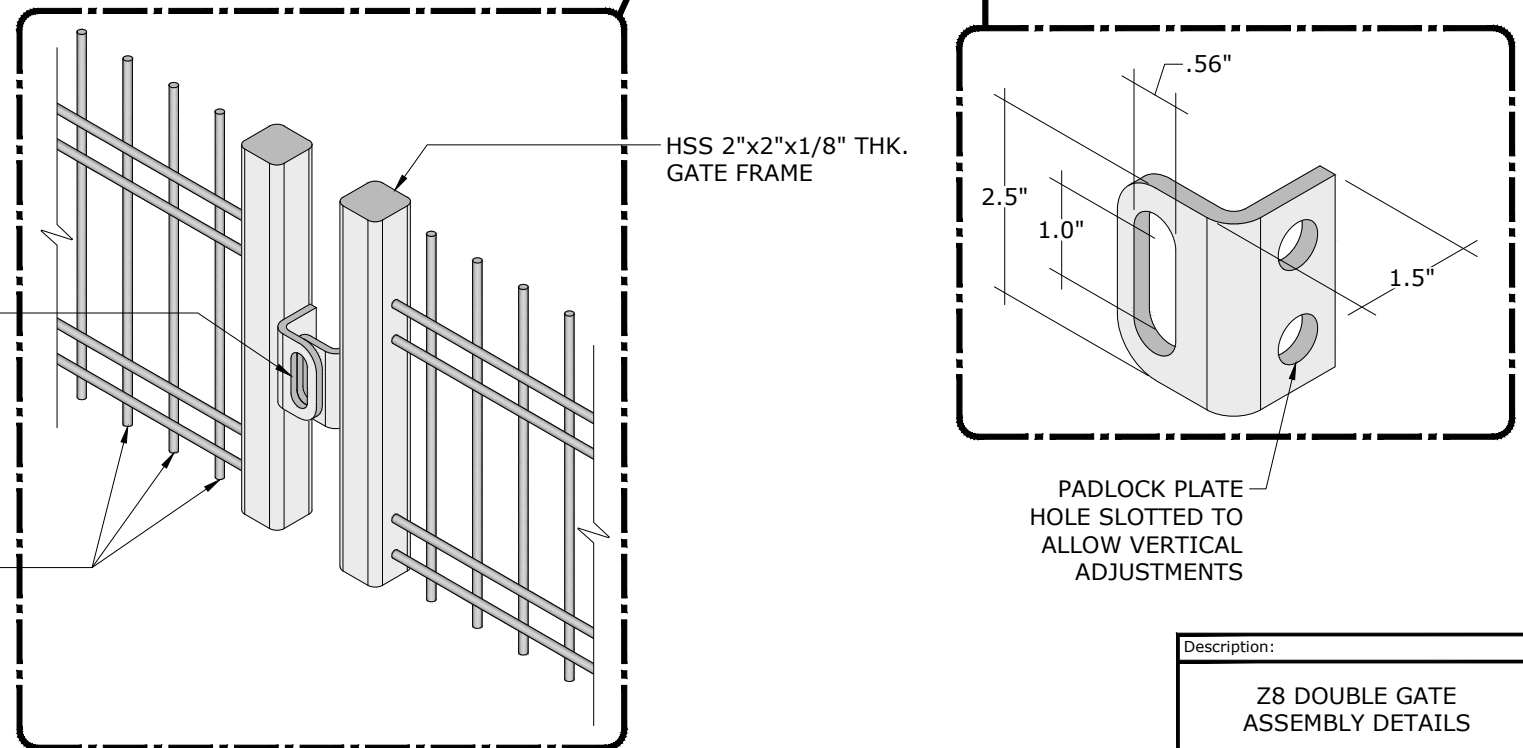
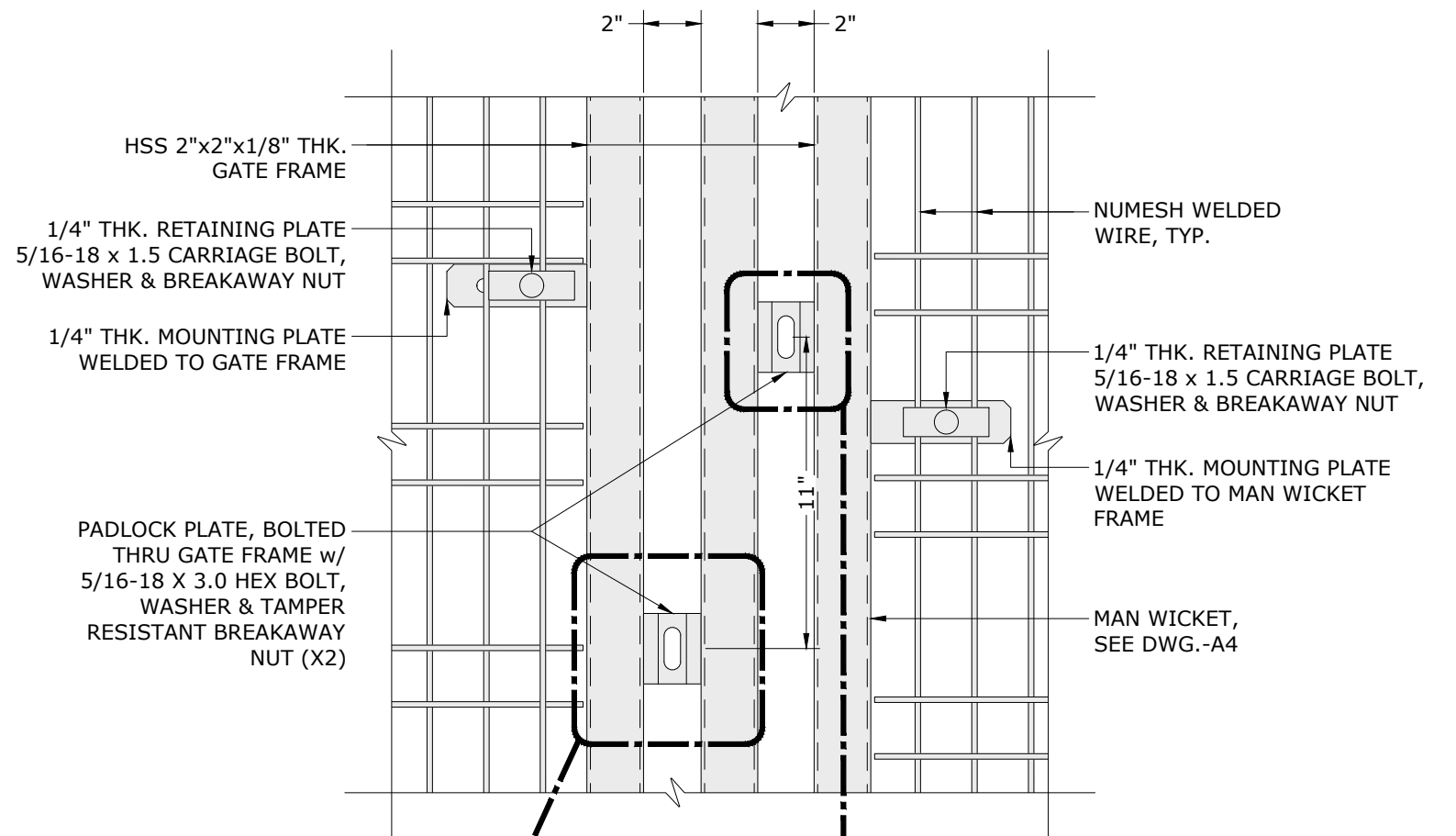
3 WIRE MESH BLOW-UP DETAIL
A2 1:5

Description:	Sheet No:
Z8 DOUBLE GATE ASSEMBLY DETAILS	A
	2





1 Z8 DOUBLE GATE ASSEMBLY DETAIL
A3 1:6



2 Z8 DOUBLE GATE PADLOCK PLATE DETAIL
A3 1:6

Description:	Sheet No:
Z8 DOUBLE GATE ASSEMBLY DETAILS	A
	3



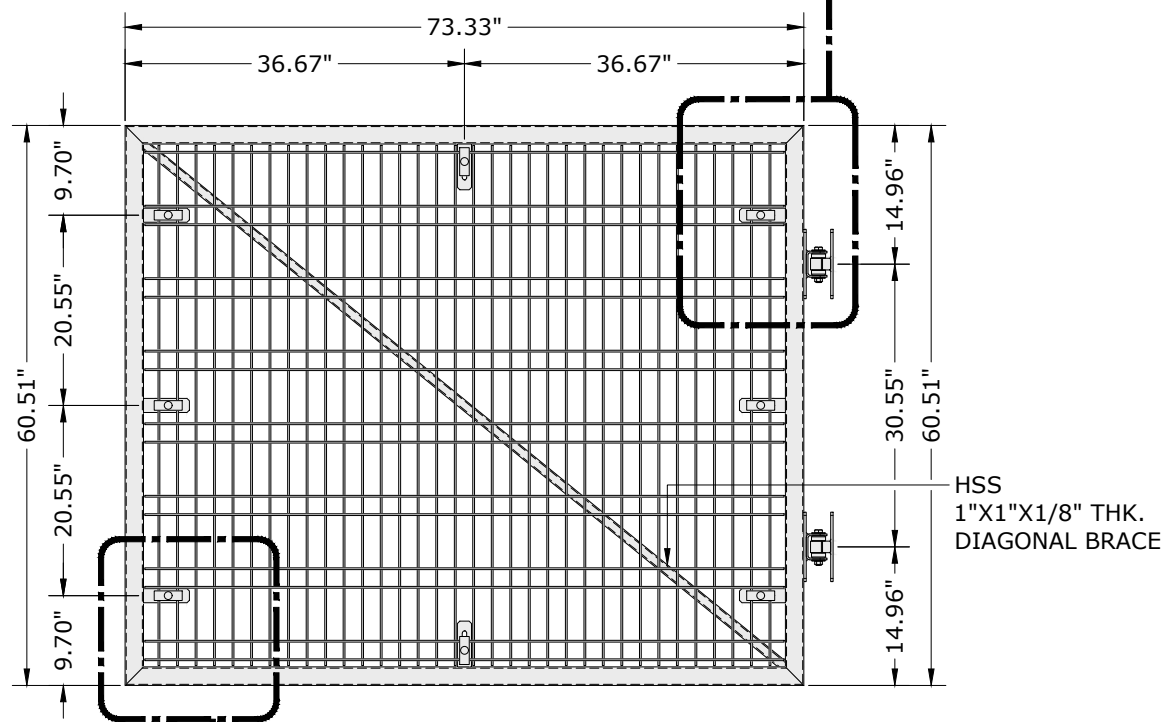
HSS 2"x2"x1/8" THK. MAN WICKET FRAME

1/4" THK. RETAINING PLATE
5/16-18 x 1.5 CARRIAGE BOLT,
WASHER & BREAKAWAY NUT

1/4" THK. MOUNTING PLATE
WELDED TO MAN WICKET FRAME

NUMESH WELDED WIRE, TYP.

CI3700 GATE HINGE, TYP.



NUMESH WELDED WIRE, TYP.

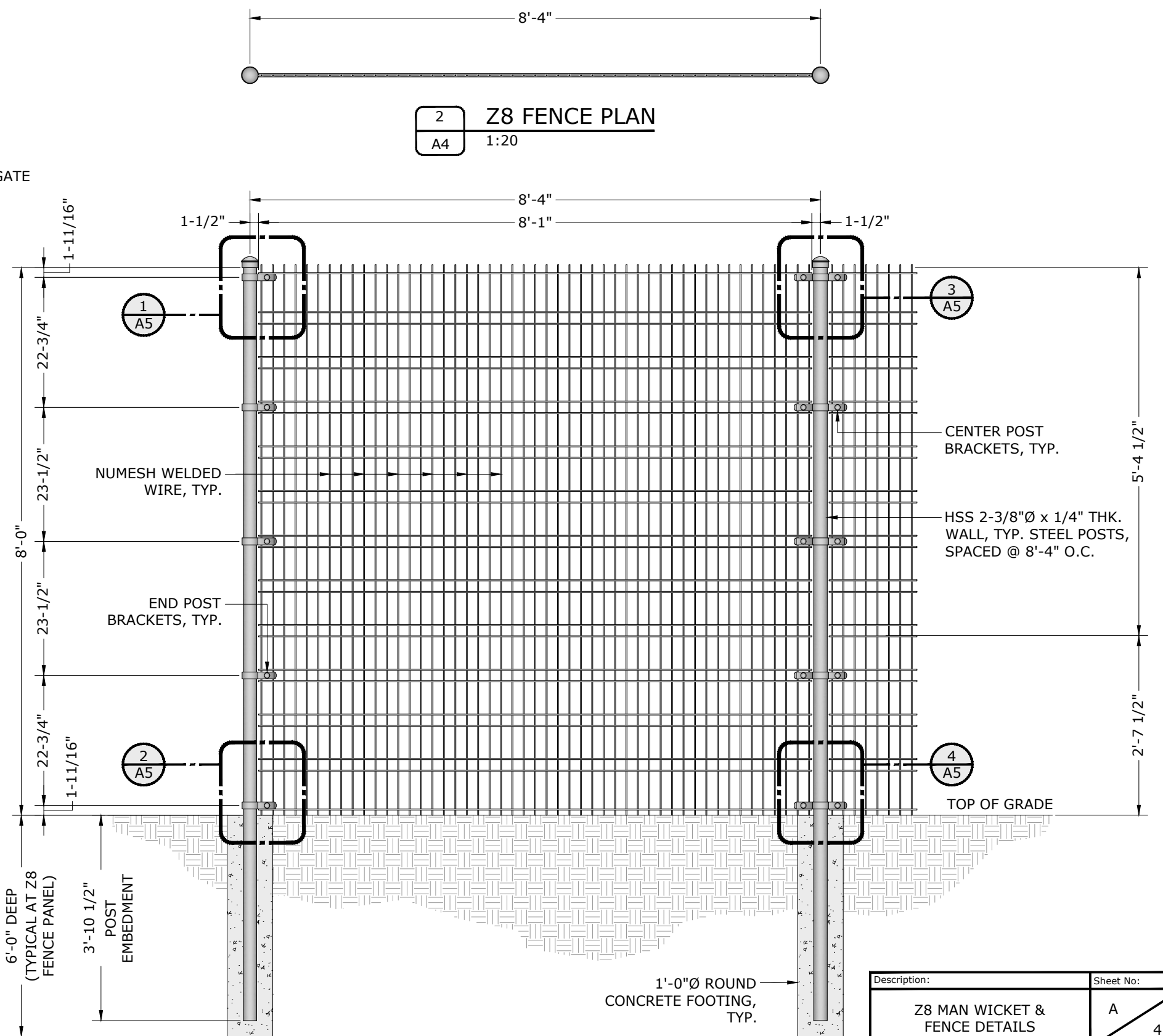
1/4" THK. MOUNTING PLATE
WELDED TO MAN WICKET FRAME

1/4" THK. RETAINING PLATE
5/16-18 x 1.5 CARRIAGE BOLT,
WASHER & BREAKAWAY NUT

HSS 2"x2"x1/8" THK. MAN WICKET FRAME

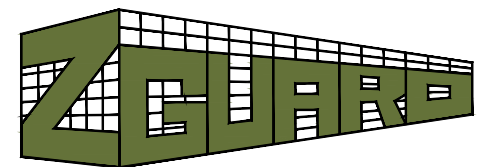
1 Z8 DOUBLE GATE-MAN WICKET ELEVATION
A4 1:20

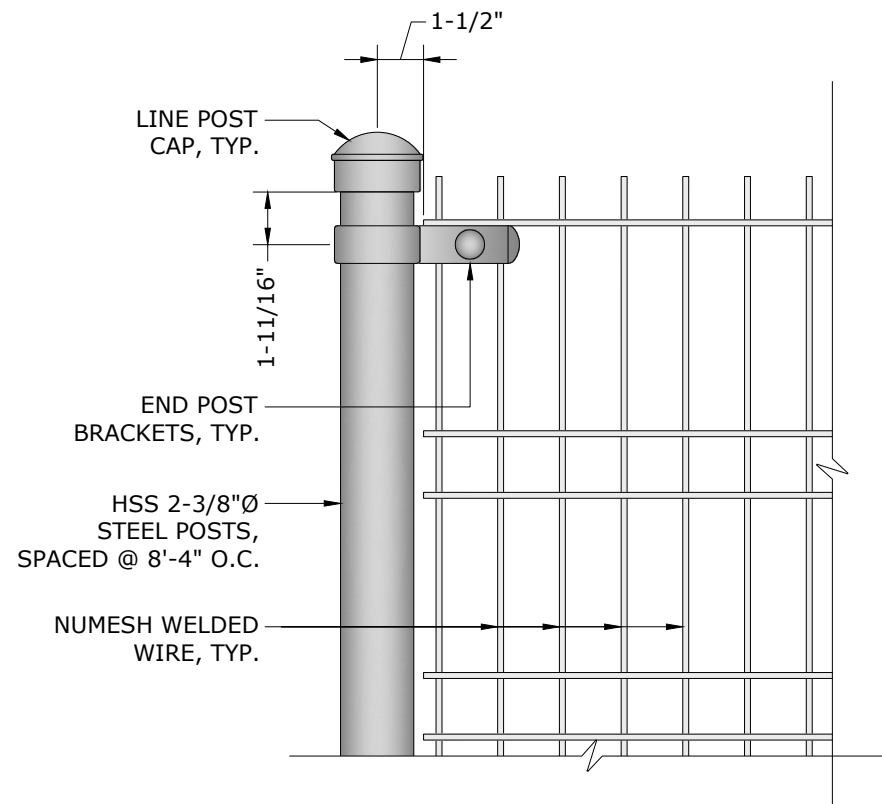
2 Z8 FENCE PLAN
A4 1:20



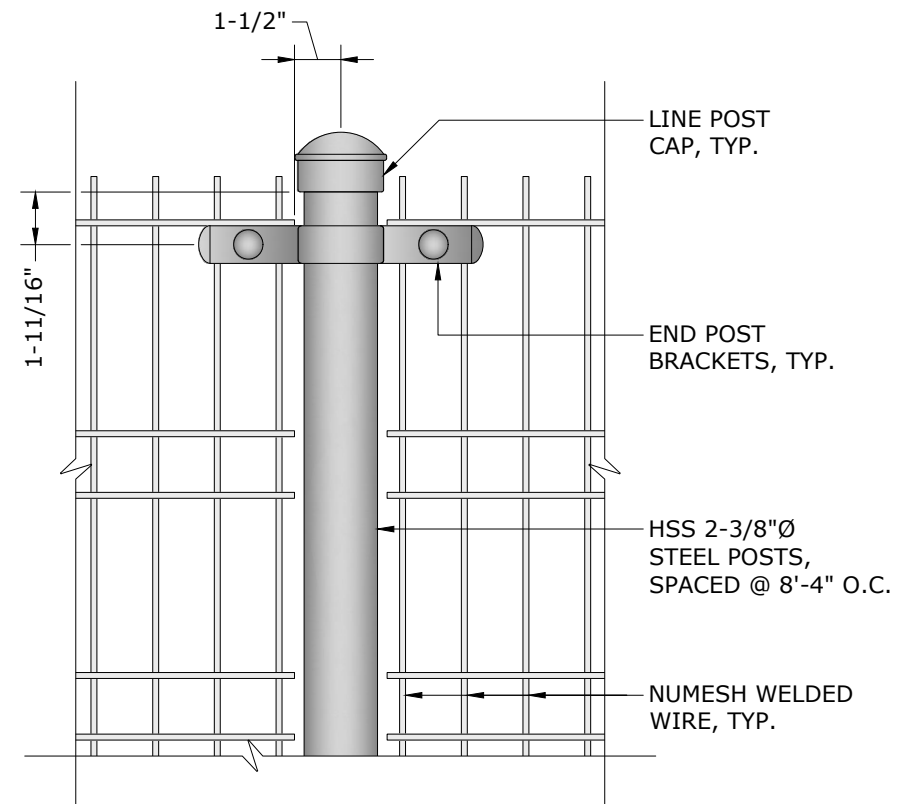
3 Z8 FENCE ELEVATION
A4 1:20

Description:	Sheet No:
Z8 MAN WICKET & FENCE DETAILS	A
	4

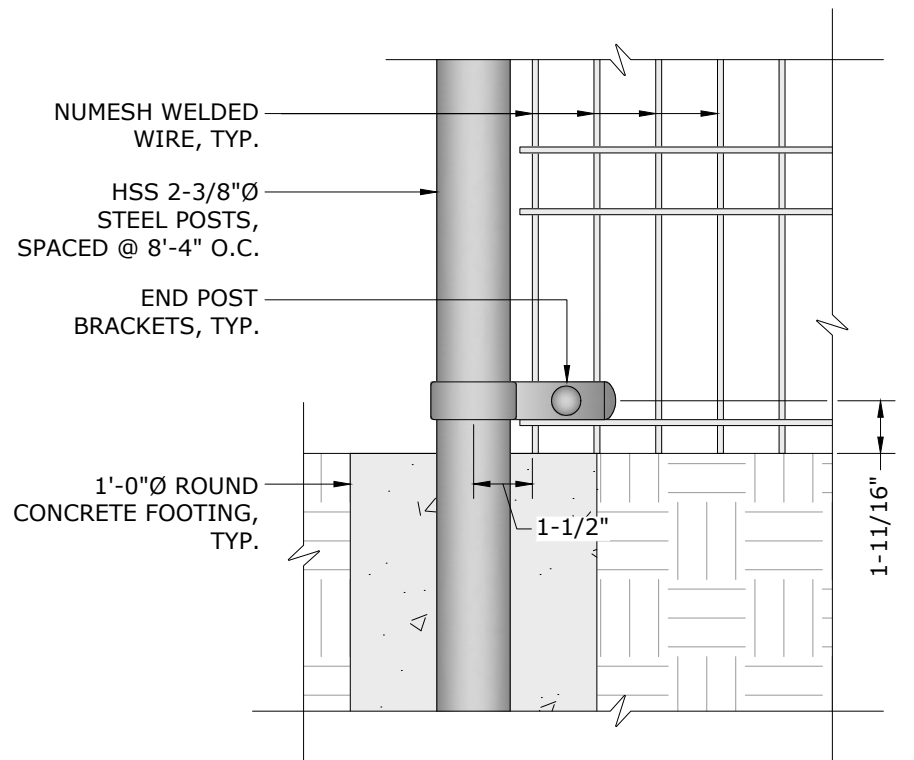




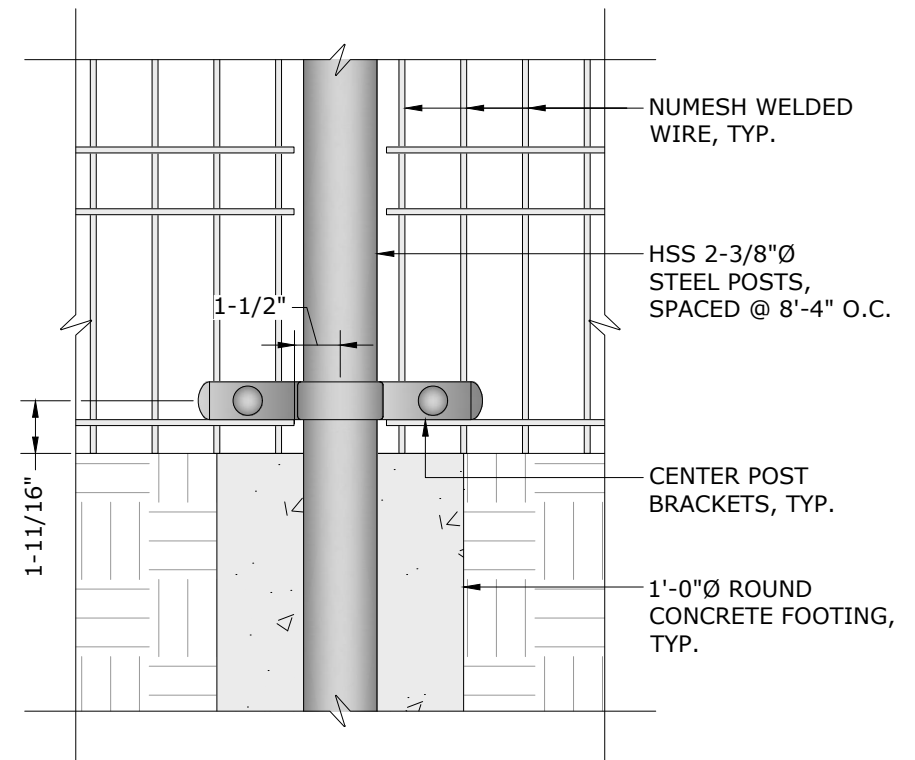
1 Z8 TOP END POST DETAIL
A5 1:6



3 Z8 TOP CENTER POST DETAIL
A5 1:6

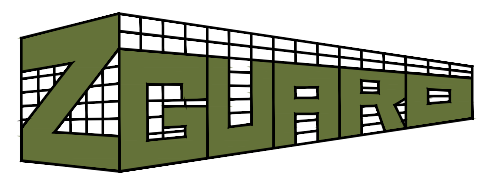


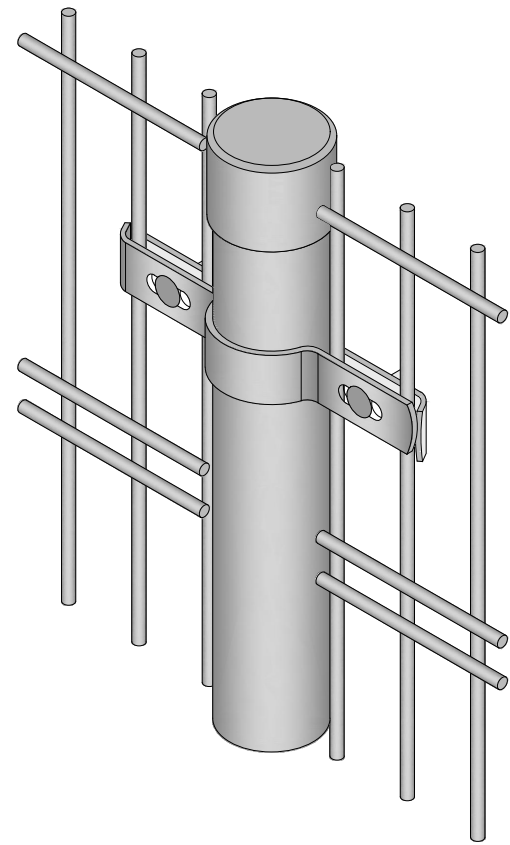
2 Z8 BOTTOM END POST DETAIL
A5 1:6



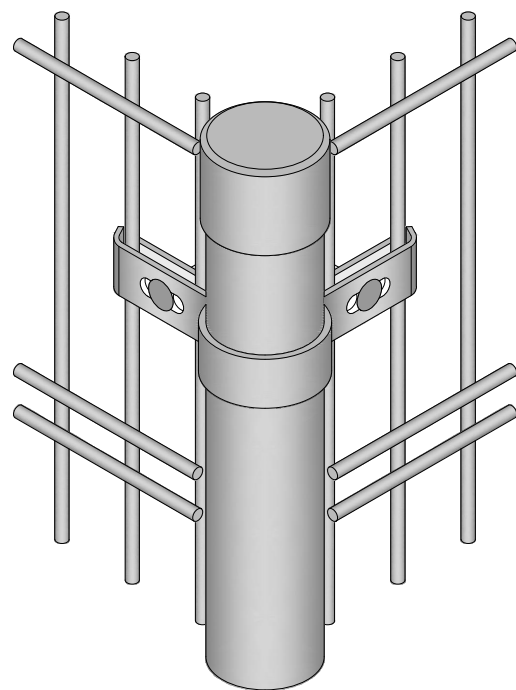
4 Z8 BOTTOM CENTER POST DETAIL
A5 1:6

Description:	Sheet No:
Z8 FENCE ASSEMBLY DETAILS	A
	5

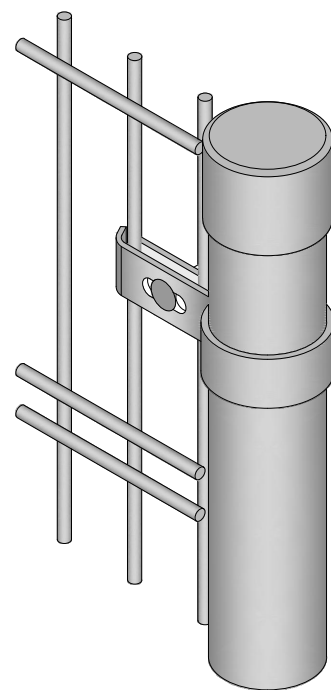




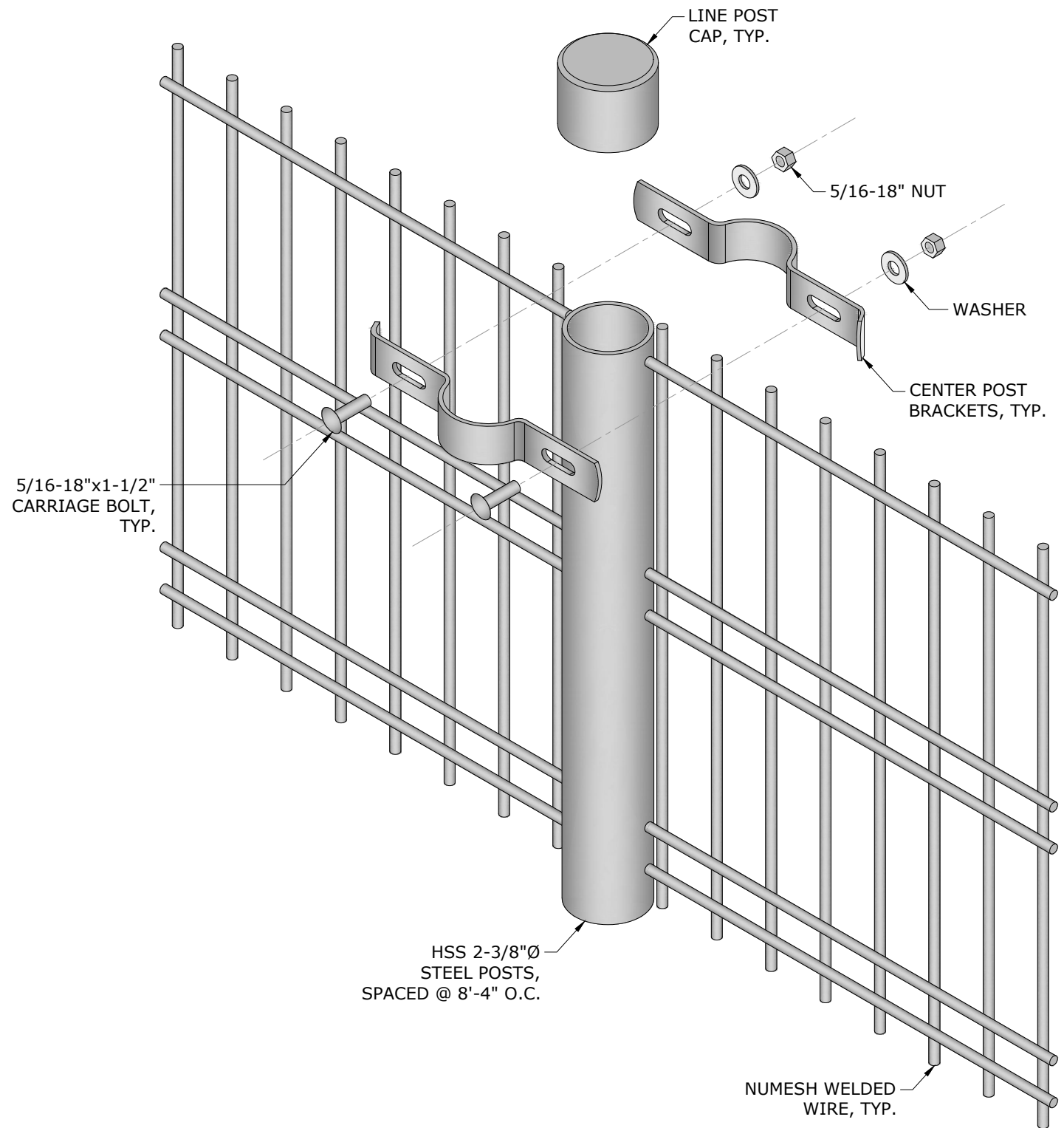
LINE POST CONNECTION



CORNER POST CONNECTION



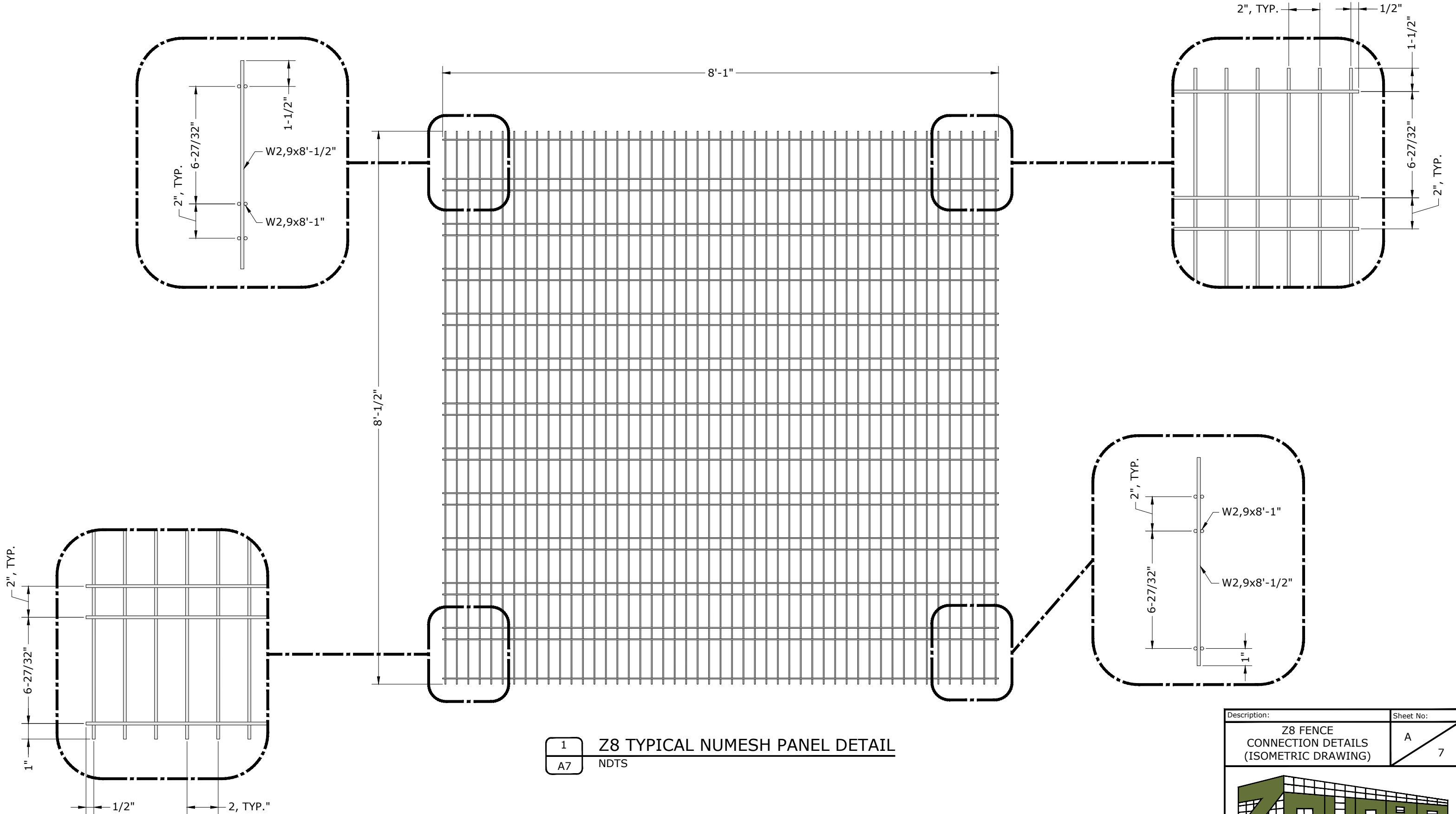
END POST CONNECTION



1	Z8 TYPICAL PANEL CONNECTION DETAIL
A6	NDTS

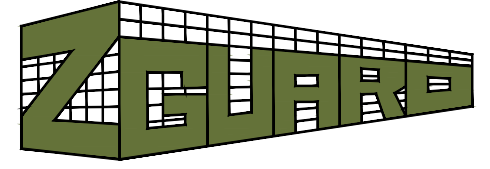
Description:	Sheet No:
Z8 FENCE CONNECTION DETAILS (ISOMETRIC DRAWING)	A
	6

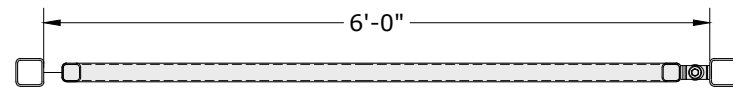




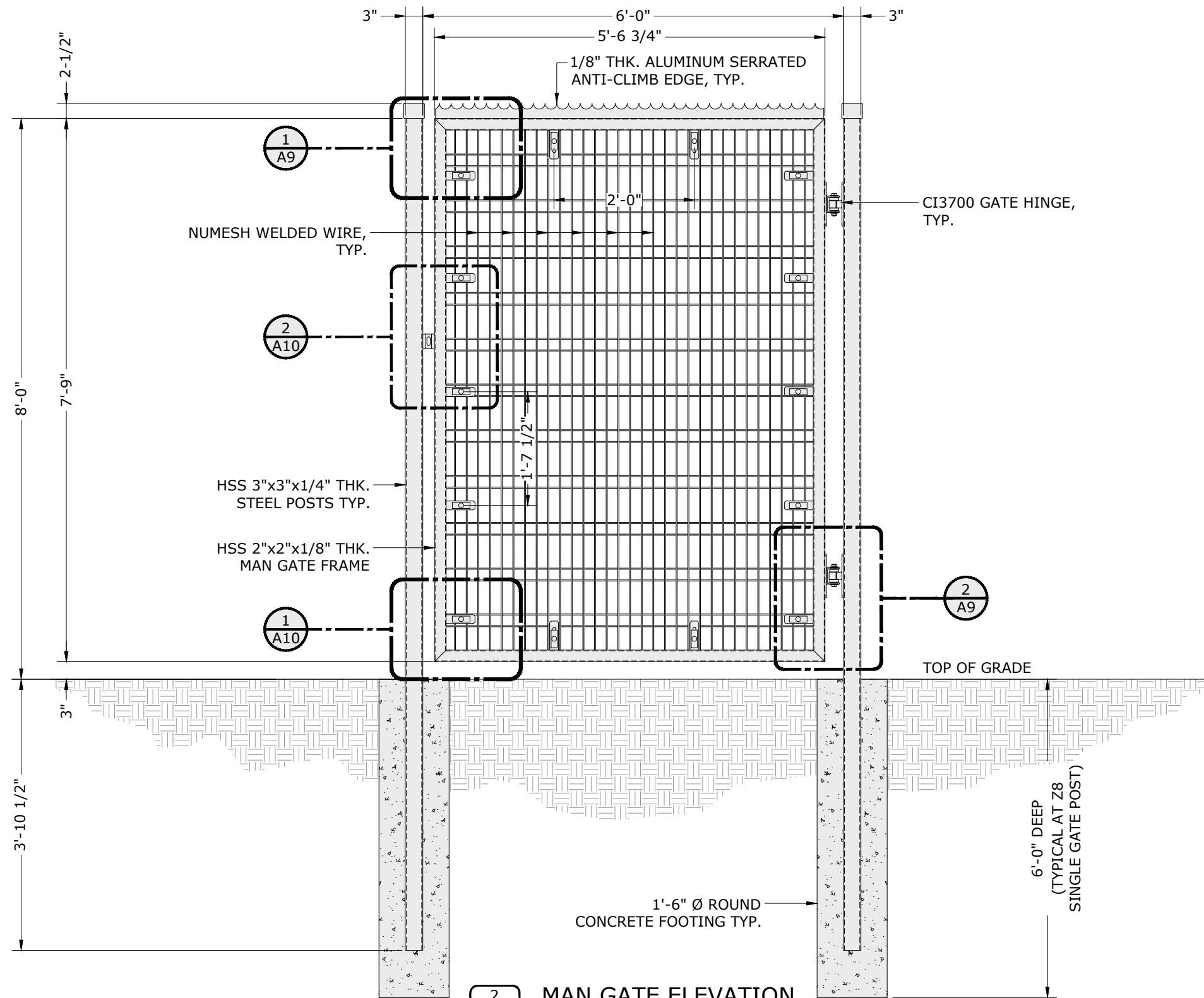
1 Z8 TYPICAL NUMESH PANEL DETAIL
 A7 NDTs

Description:	Sheet No:
Z8 FENCE CONNECTION DETAILS (ISOMETRIC DRAWING)	A
	7



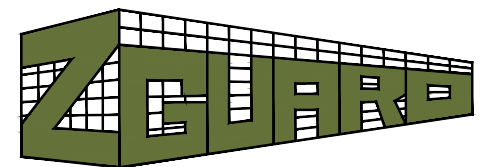


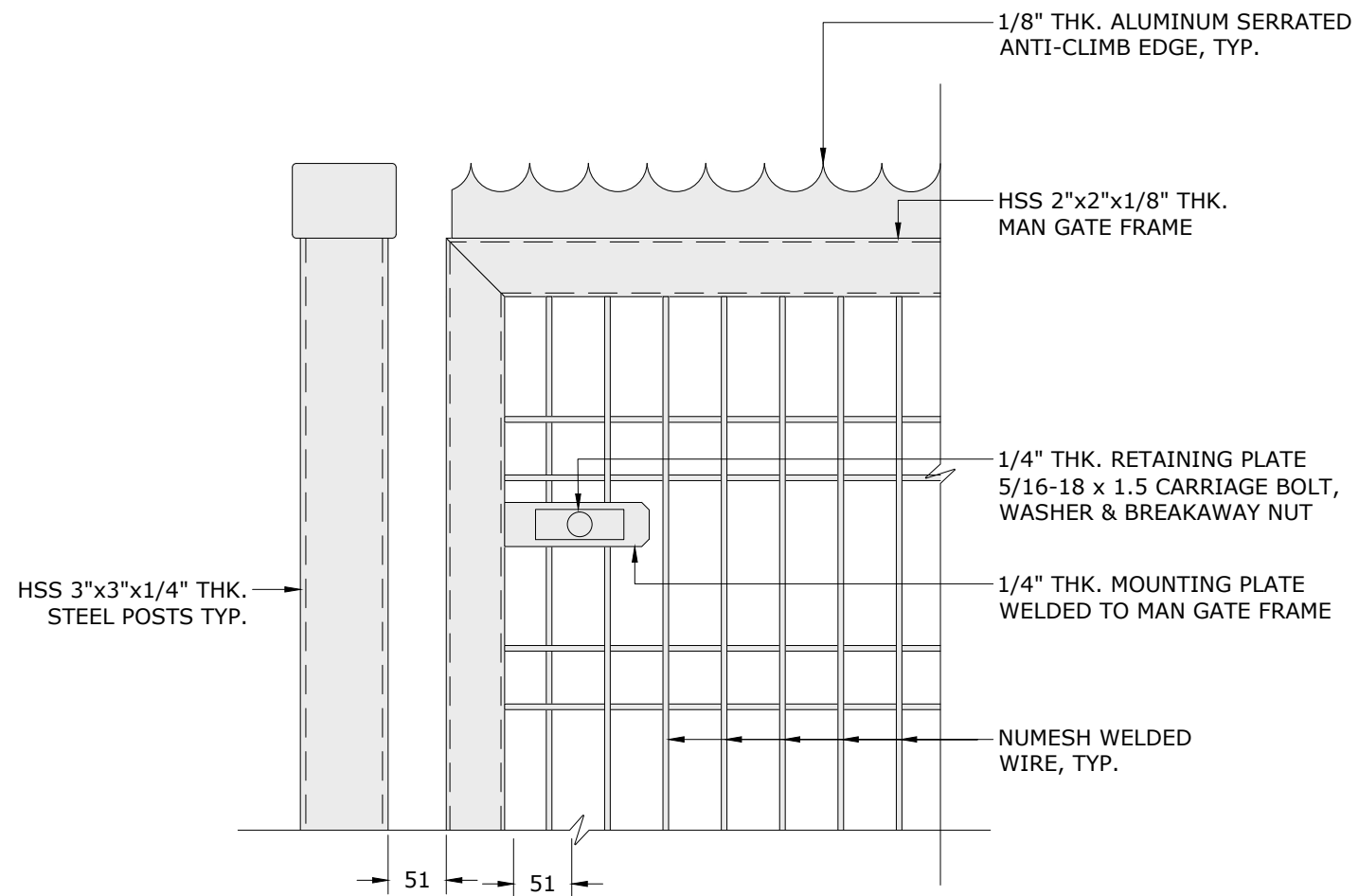
1 MAN GATE PLAN
A8 1:6



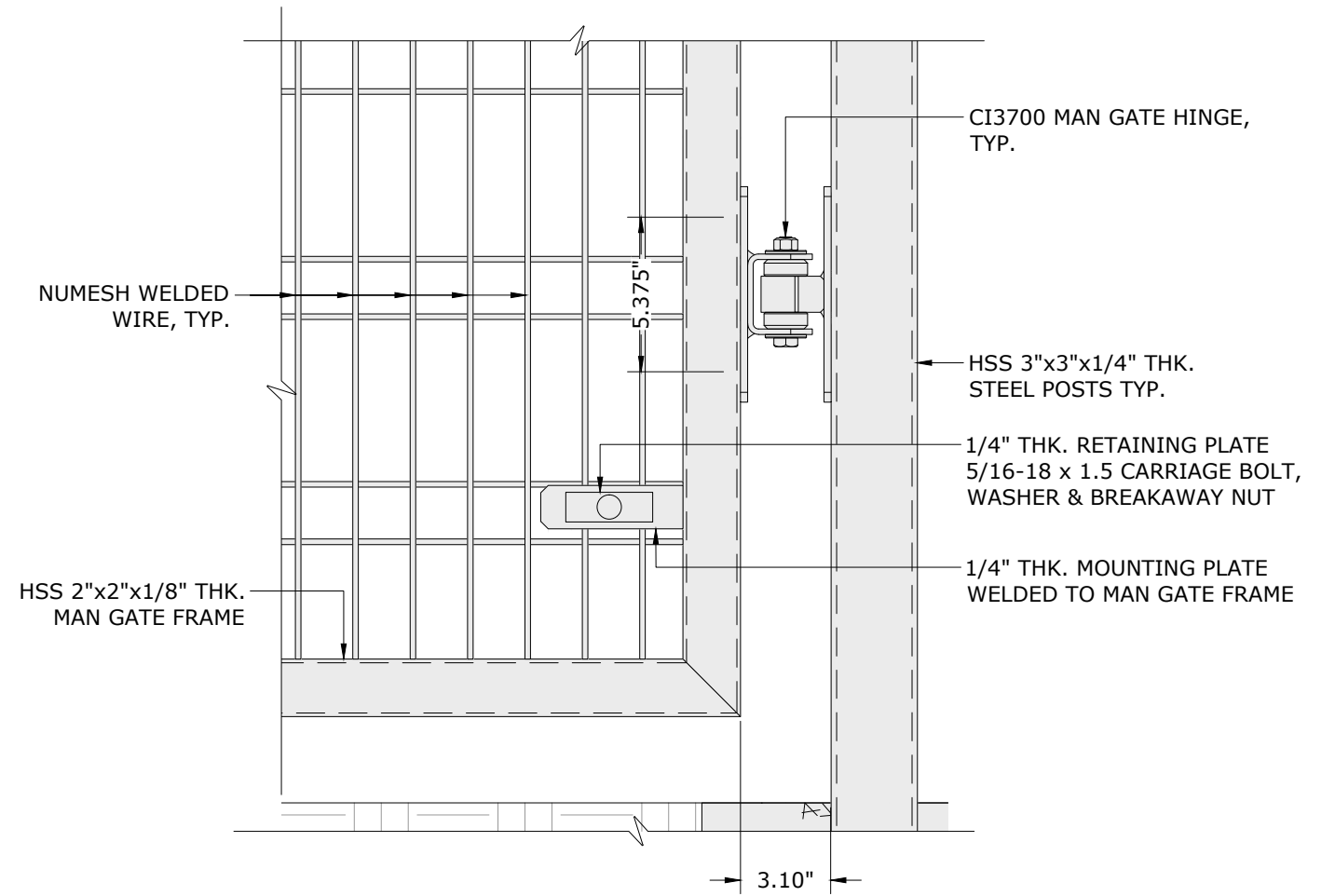
2 MAN GATE ELEVATION
A8 1:6

Description:	Sheet No:
Z8 MAN GATE	A 8

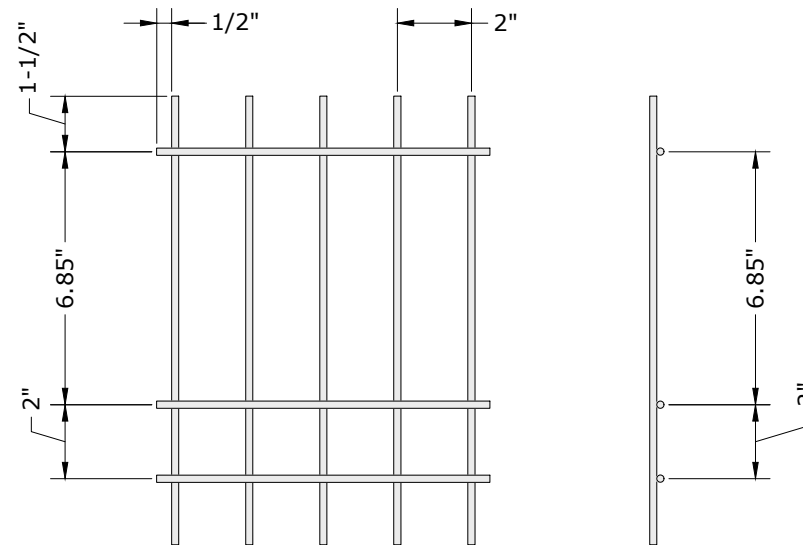




1 Z8 MAN GATE ASSEMBLY DETAIL
A9 1:6

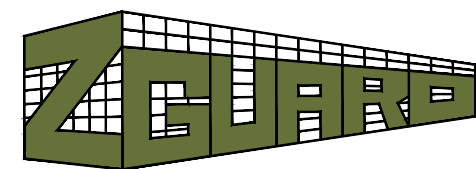


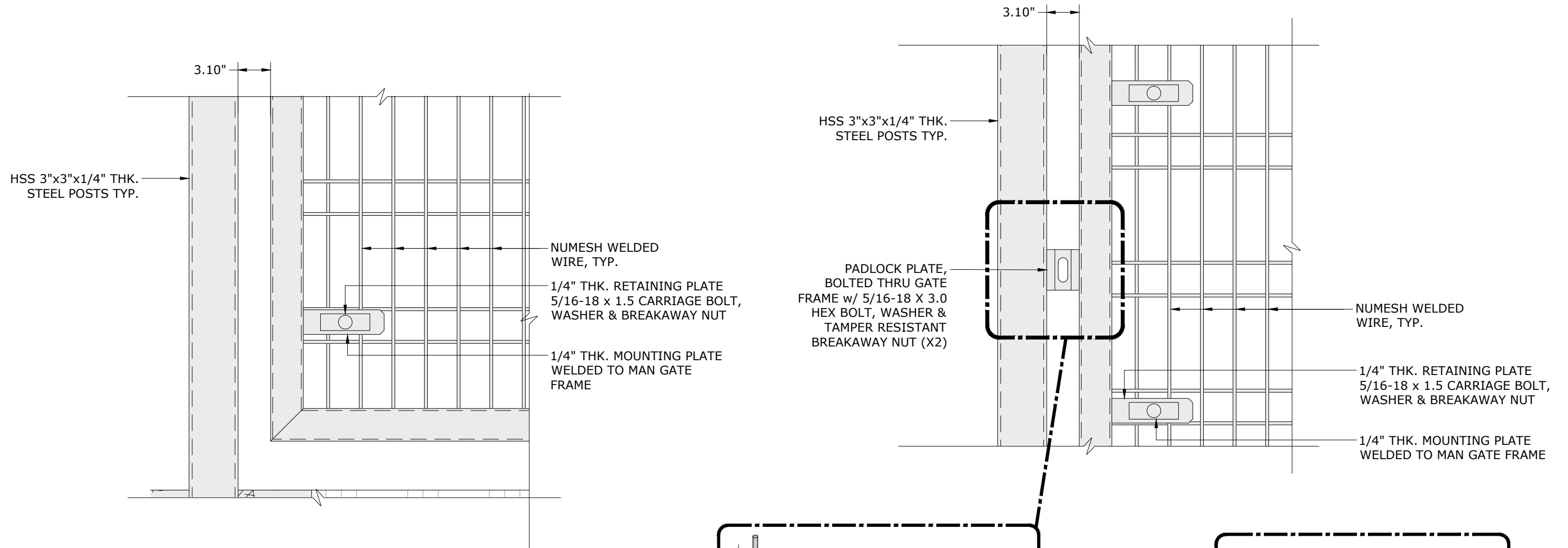
2 Z8 MAN GATE ASSEMBLY DETAIL
A9 1:6



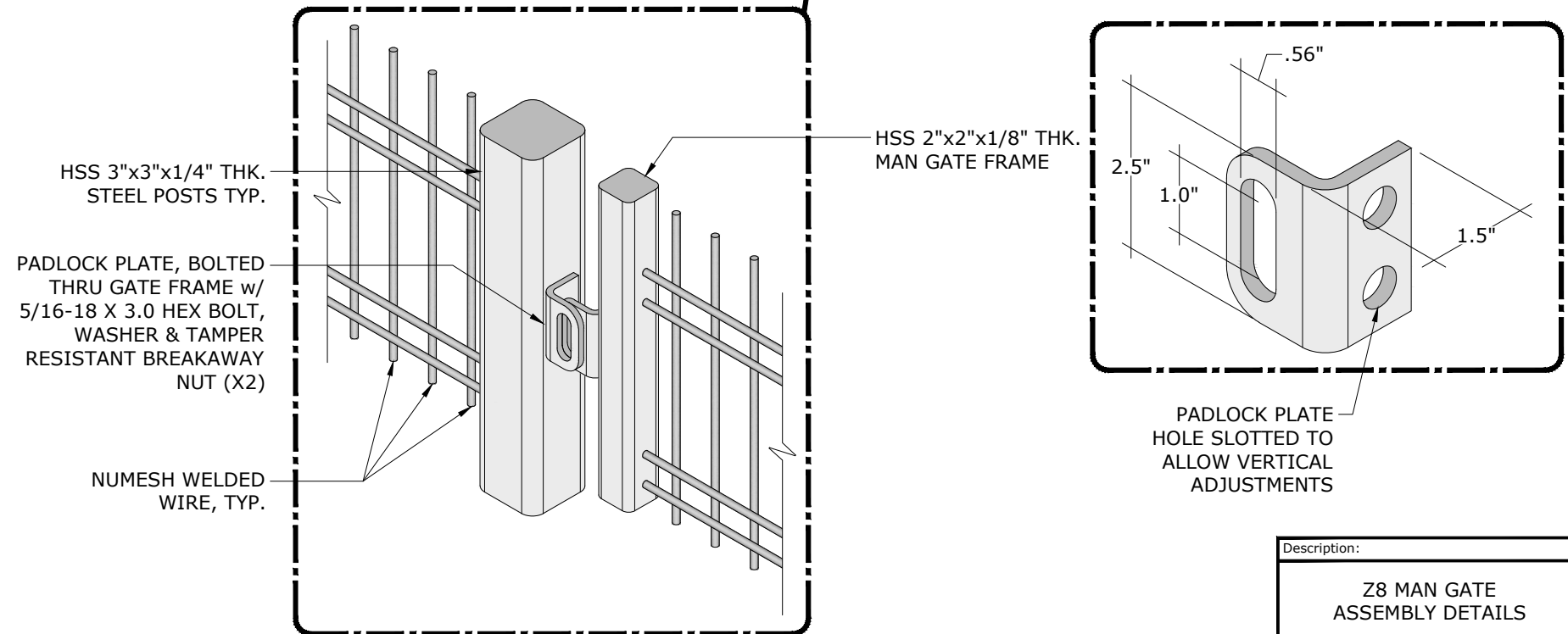
3 WIRE MESH BLOW-UP DETAIL
A9 1:5

Description:	Sheet No:
Z8 MAN GATE ASSEMBLY DETAILS	A
	9



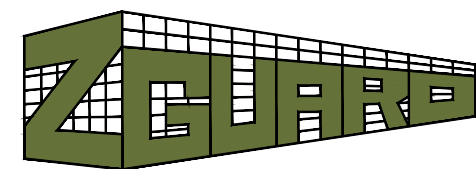


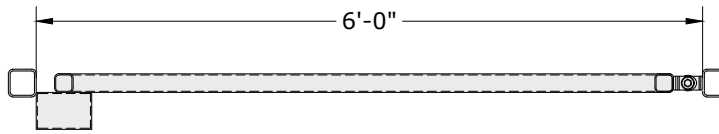
1 MAN GATE ASSEMBLY DETAIL
A10 1:6



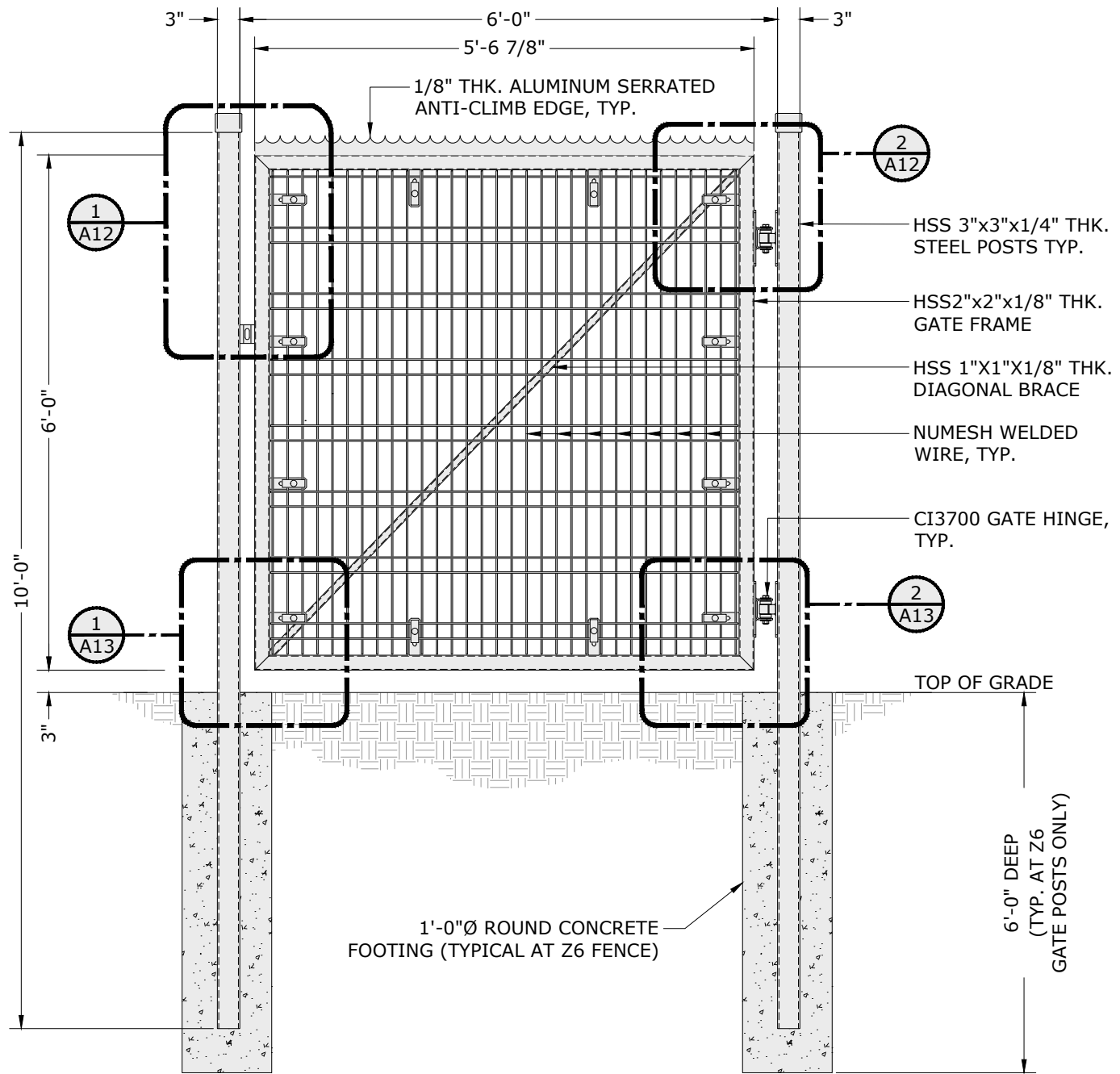
2 Z8 DOUBLE GATE PADLOCK PLATE DETAIL
A10 1:6

Description:	Sheet No:
Z8 MAN GATE ASSEMBLY DETAILS	A
	10





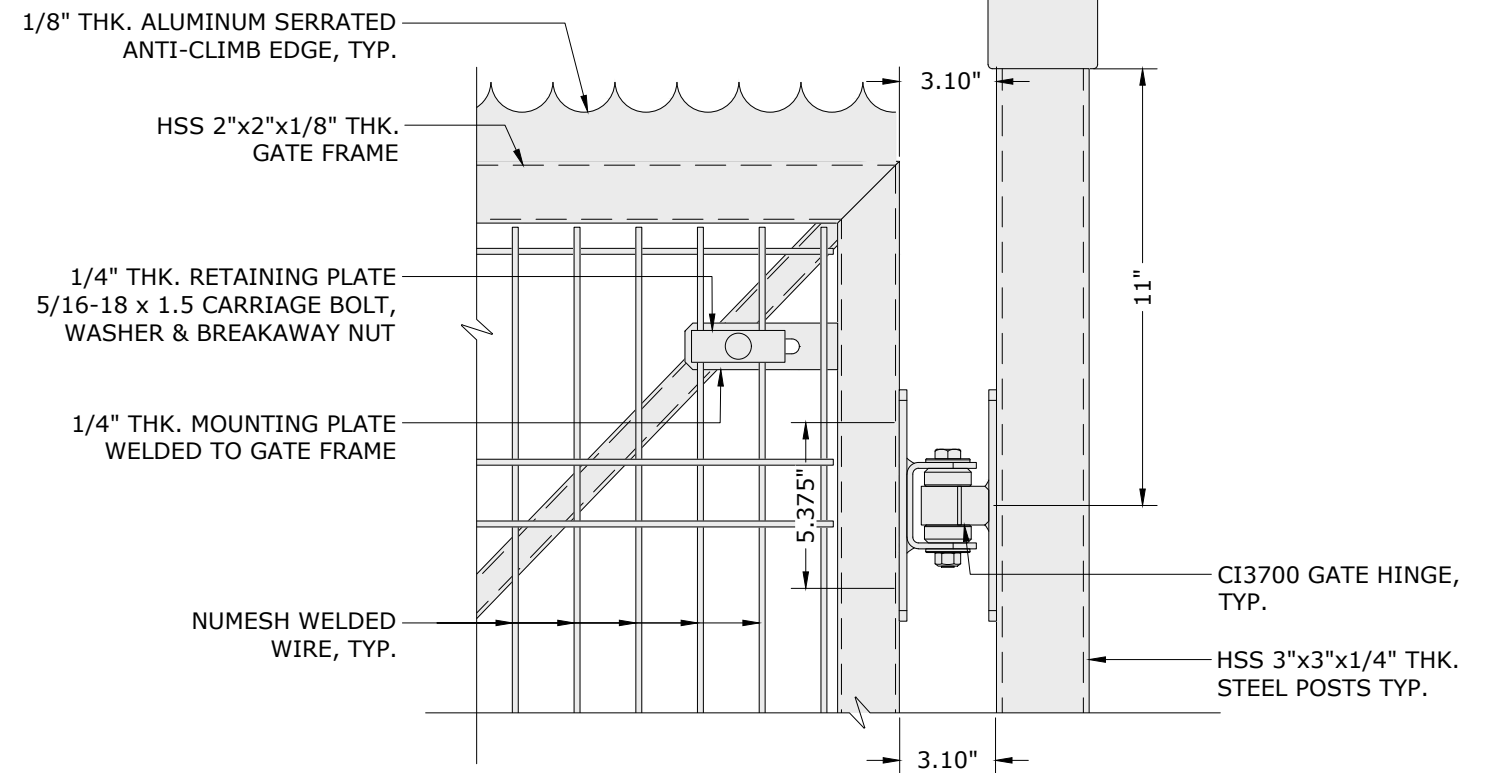
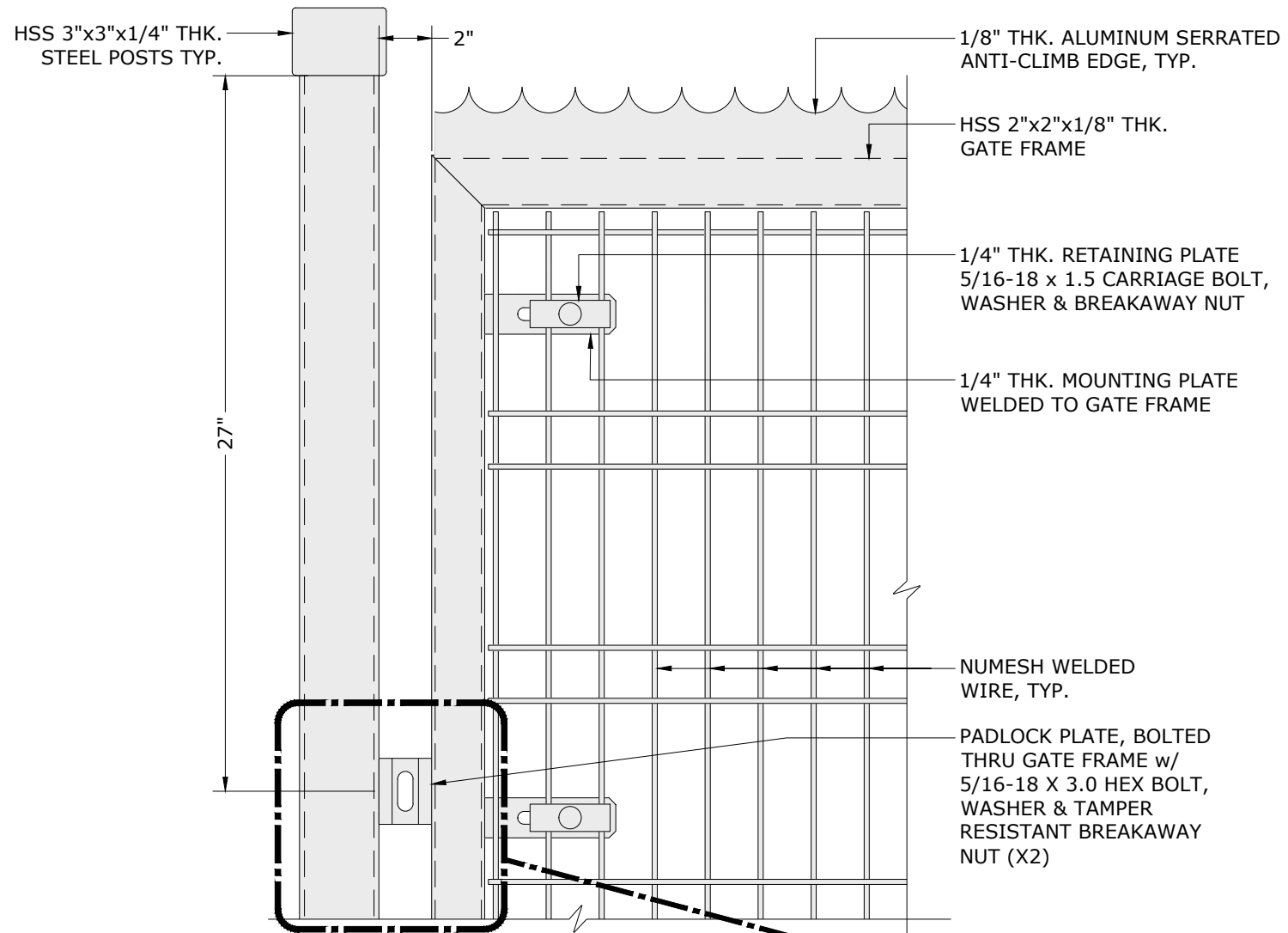
1
A11 **Z6 MAN GATE PLAN**
1:120



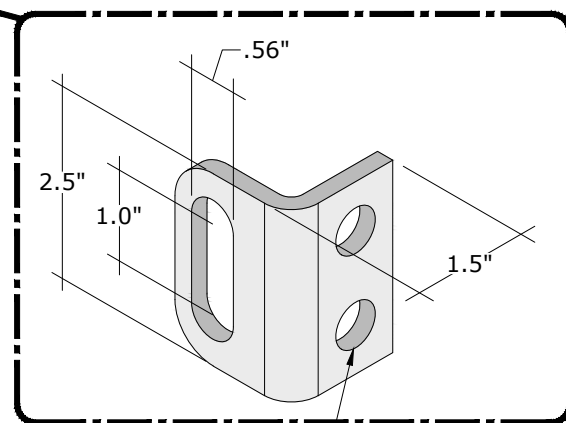
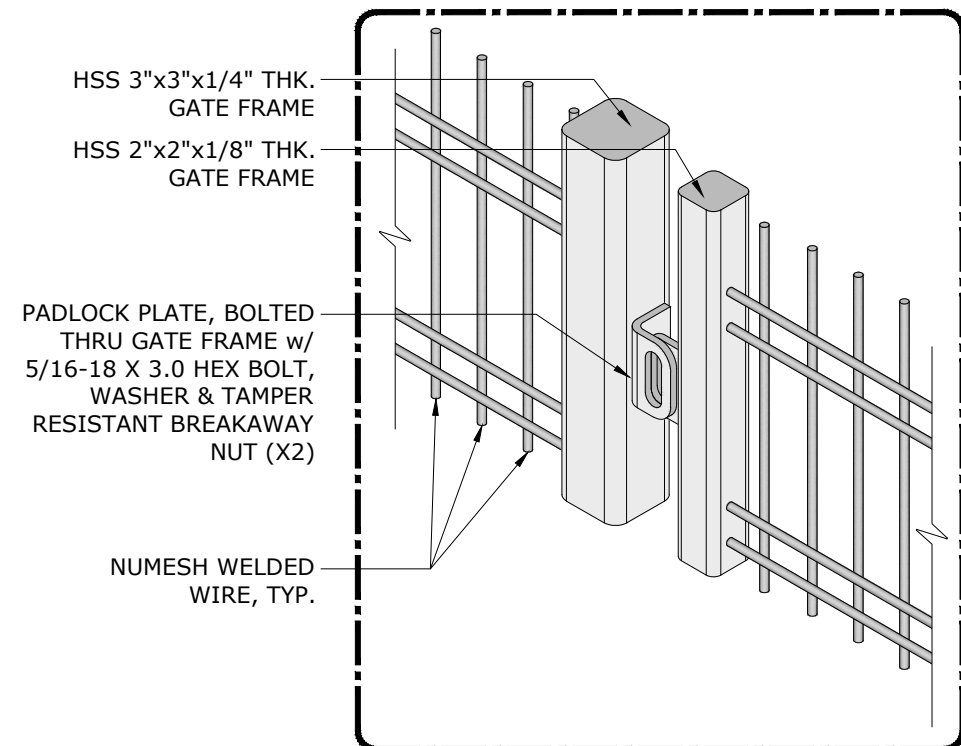
2
A11 **Z6 MAN GATE ELEVATION**
1:120

Sheet No:	
Z6 MAN GATE	A
	11



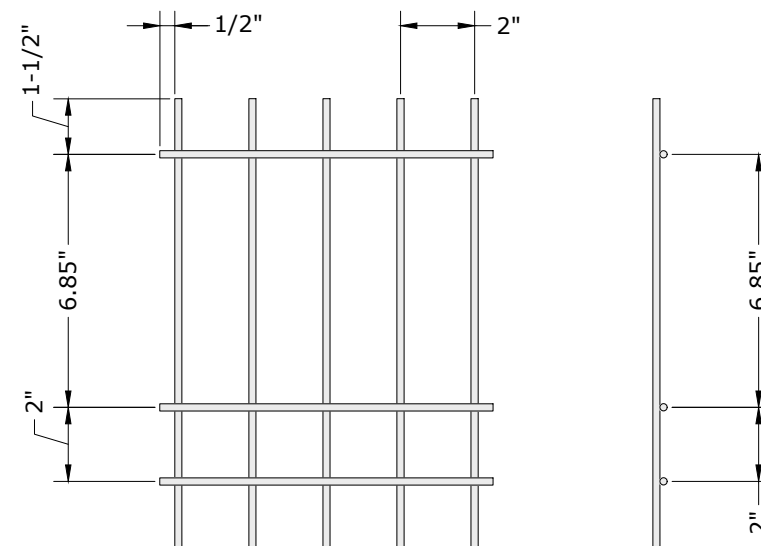


2 Z6 MAN GATE ASSEMBLY DETAIL
A12 1:6



PADLOCK PLATE HOLE SLOTTED TO ALLOW VERTICAL ADJUSTMENTS

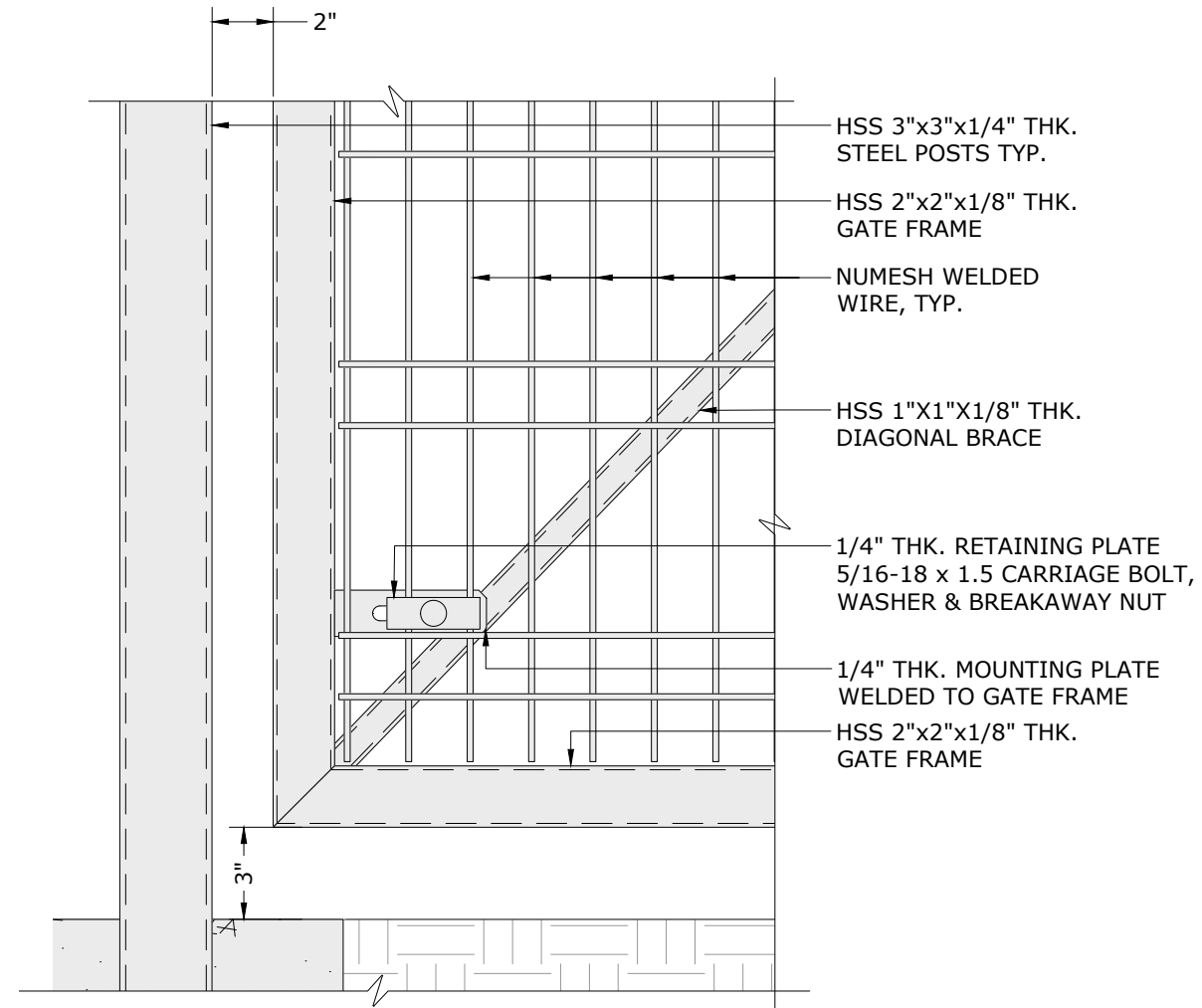
1 Z6 MAN GATE PADLOCK PLATE DETAIL
A12 1:6



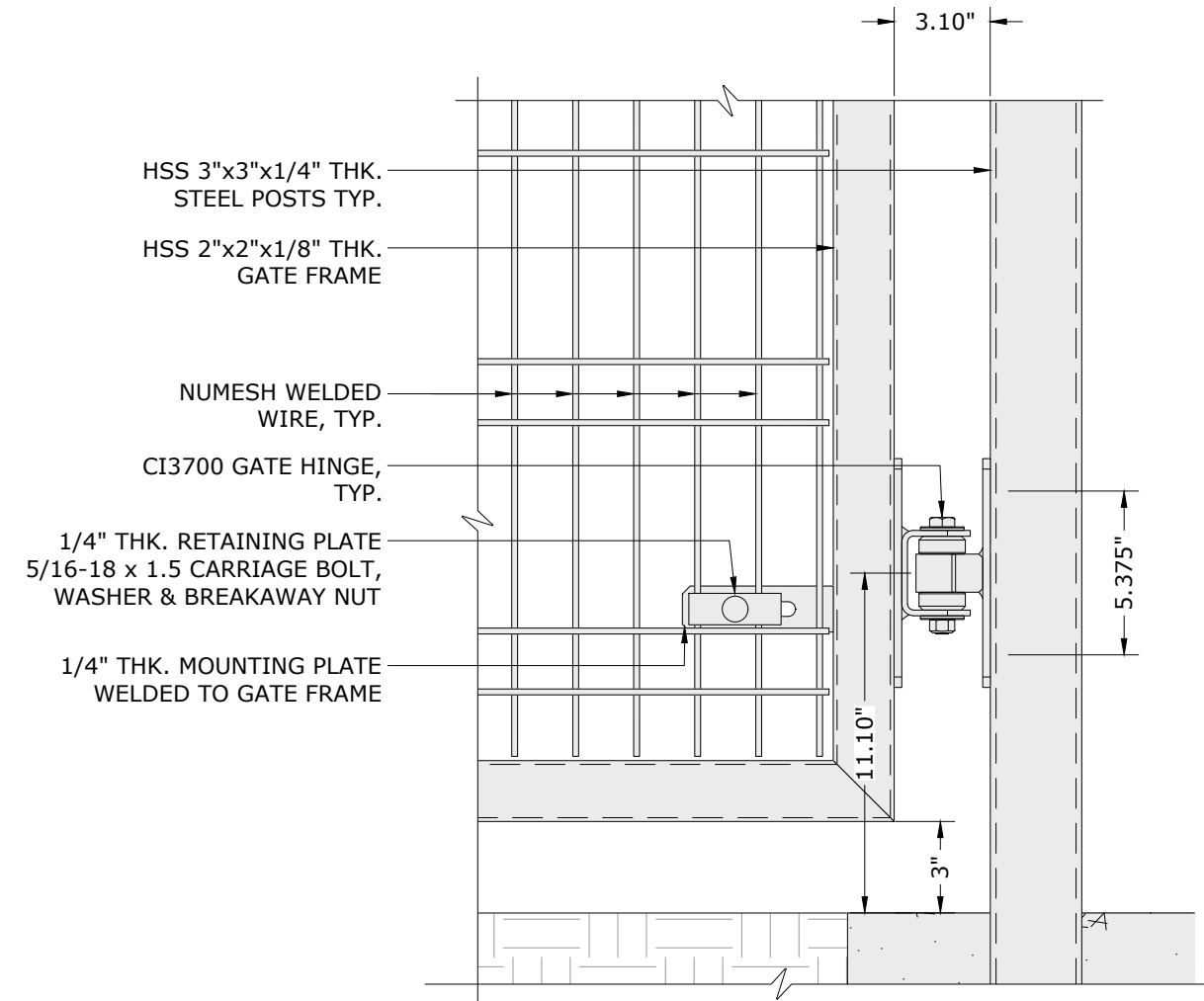
3 WIRE MESH BLOW-UP DETAIL
A12 1:5

Sheet No:	
Z6 MAN GATE ASSEMBLY DETAILS	A
	12





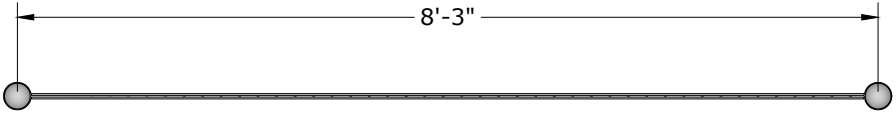
1 Z6 MAN GATE ASSEMBLY DETAIL
A13 1:6



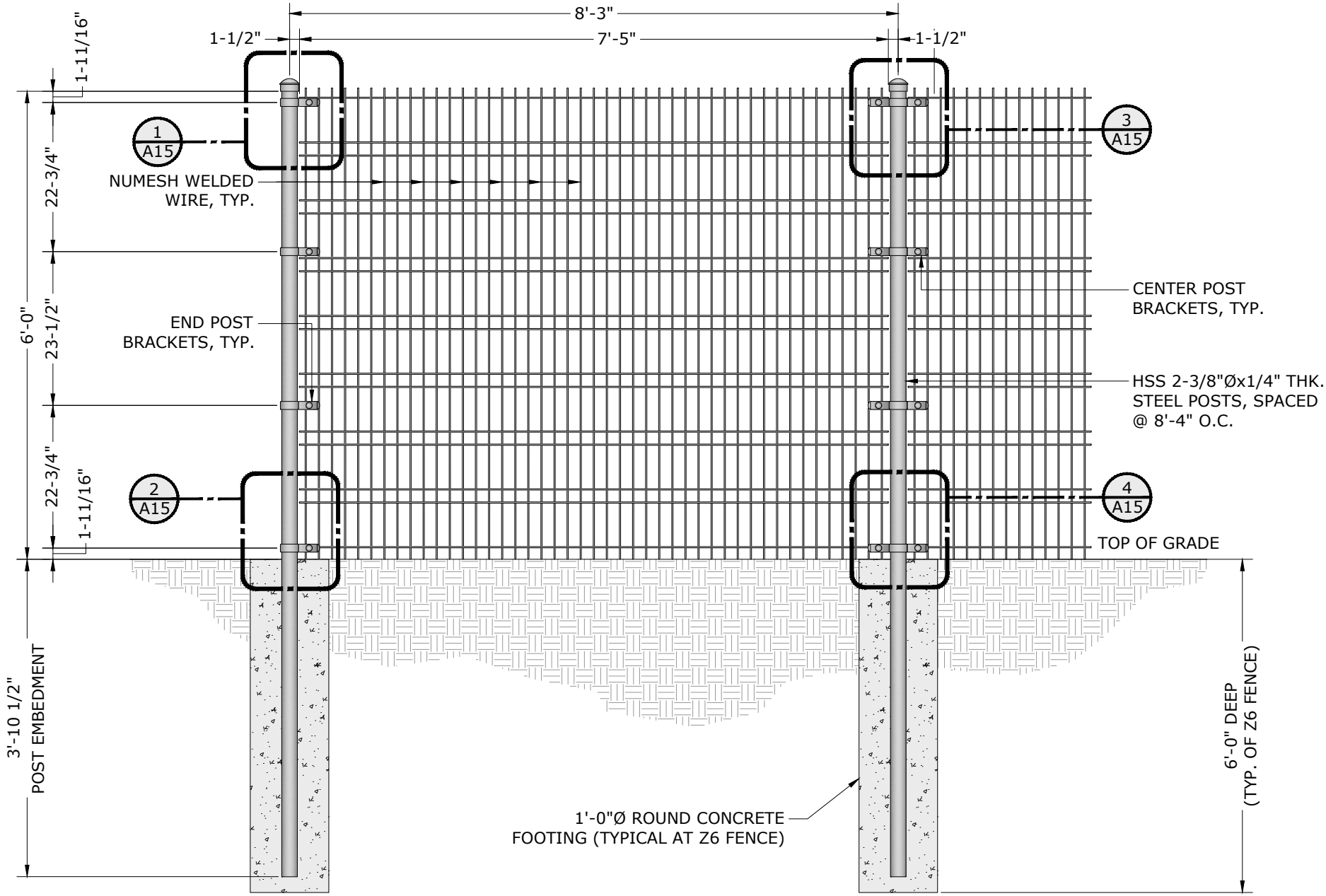
2 Z6 MAN GATE ASSEMBLY DETAIL
A13 1:6

Z6 MAN GATE ASSEMBLY DETAILS		Sheet No: A
		13





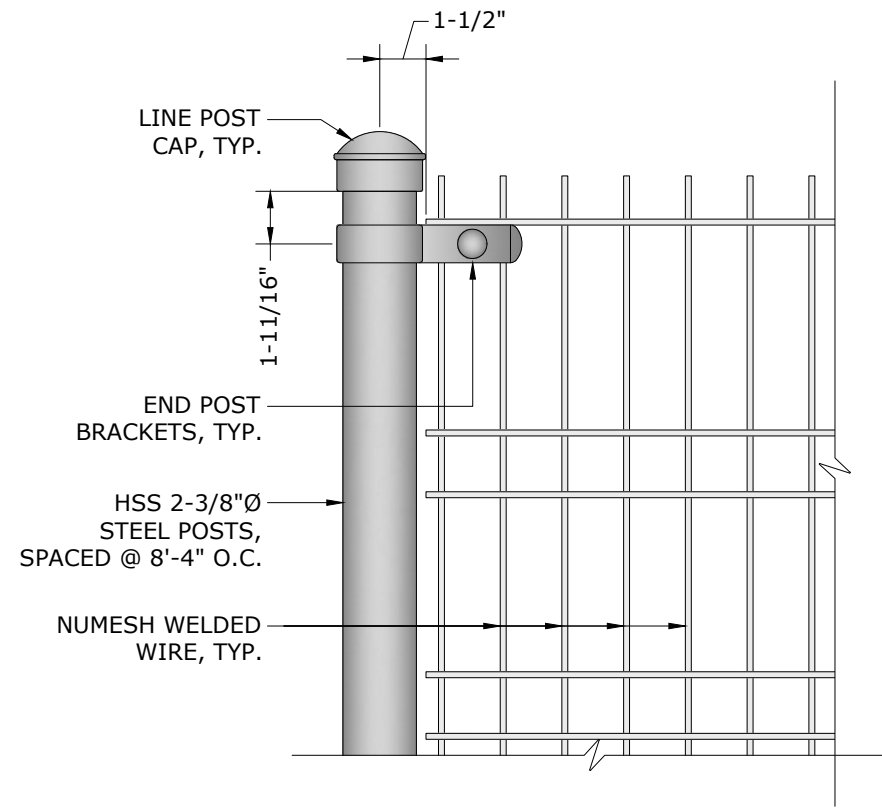
1 Z6 FENCE PLAN
A14 1:20



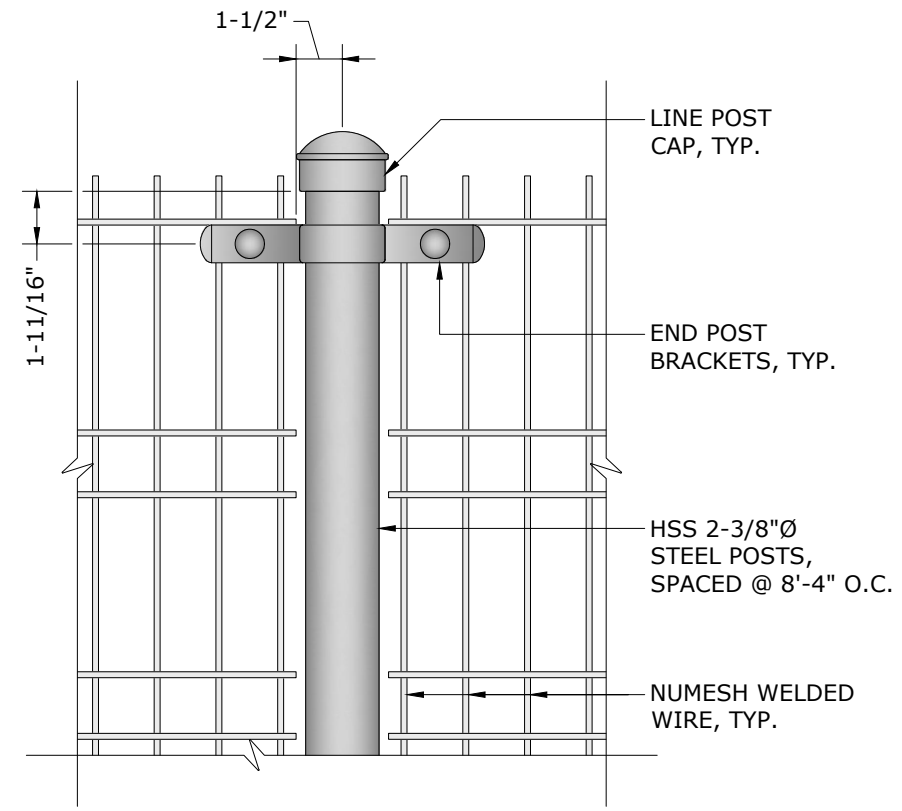
2 Z6 FENCE ELEVATION
A14 1:20

Sheet No:	
Z6 FENCE DETAILS	A
	14

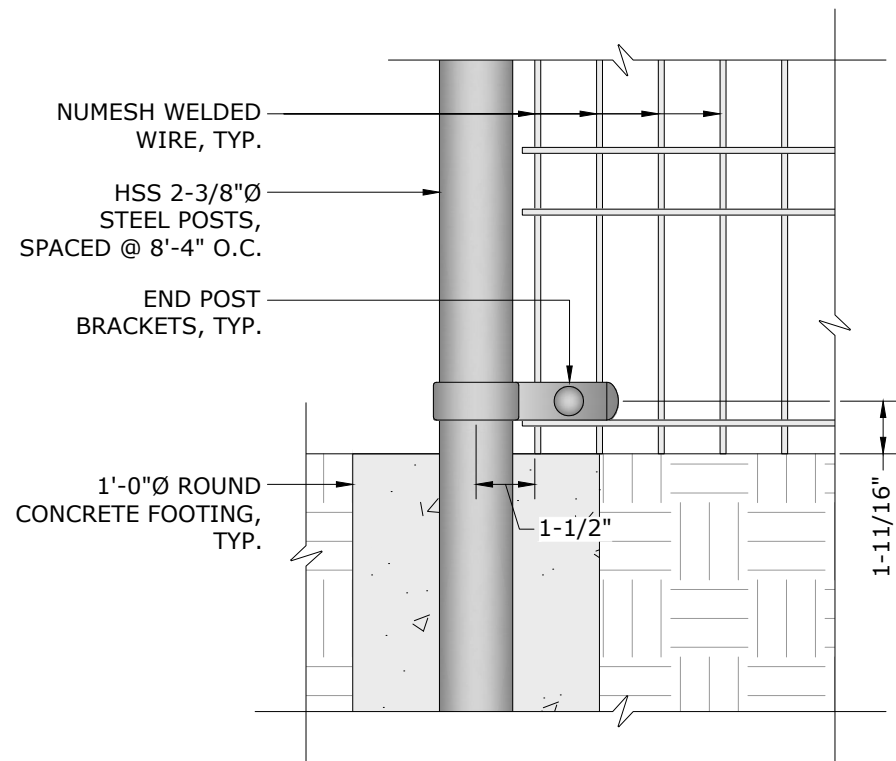




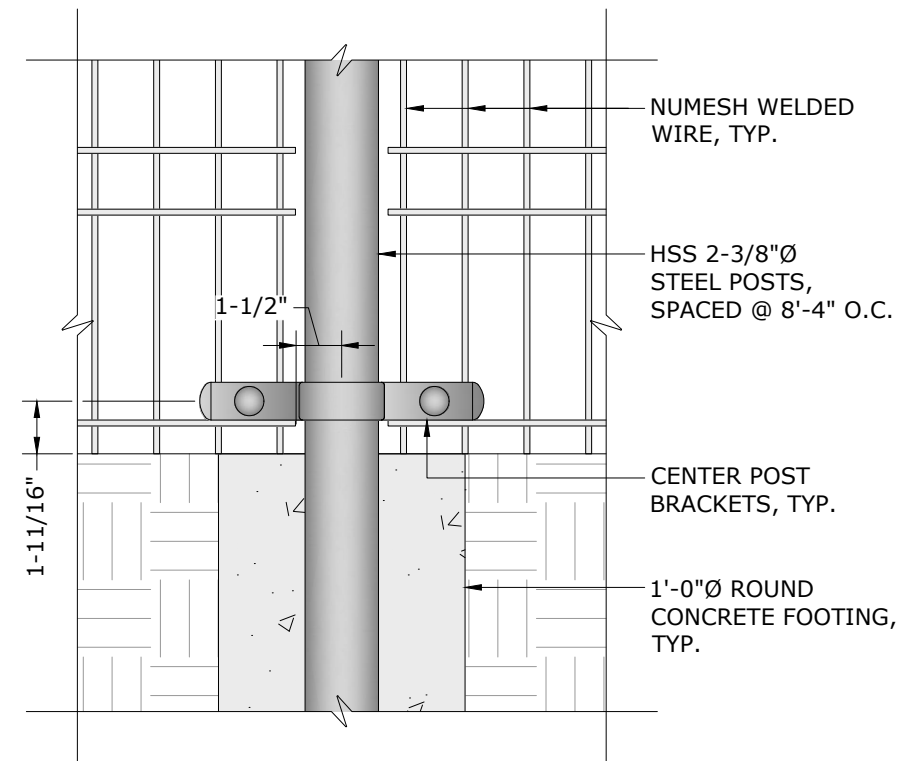
1 Z6 TOP END POST DETAIL
A15 1:6



3 Z6 TOP CENTER POST DETAIL
A15 1:6



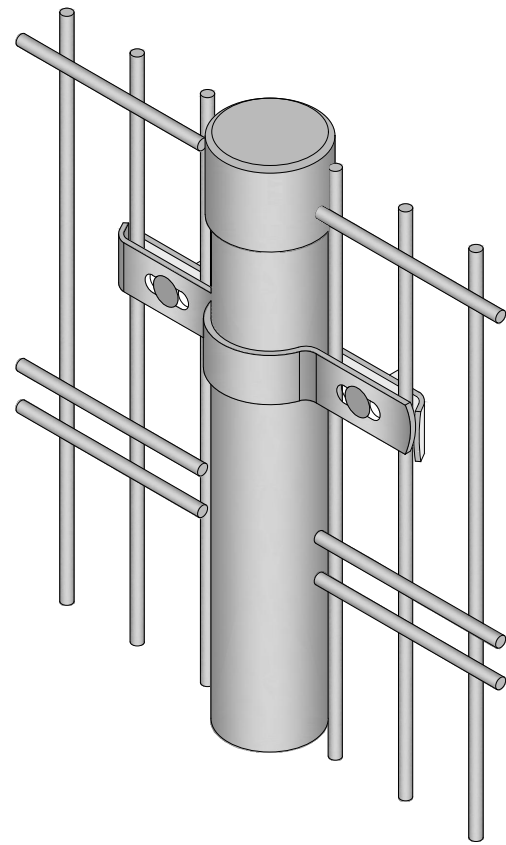
2 Z6 BOTTOM END POST DETAIL
A15 1:6



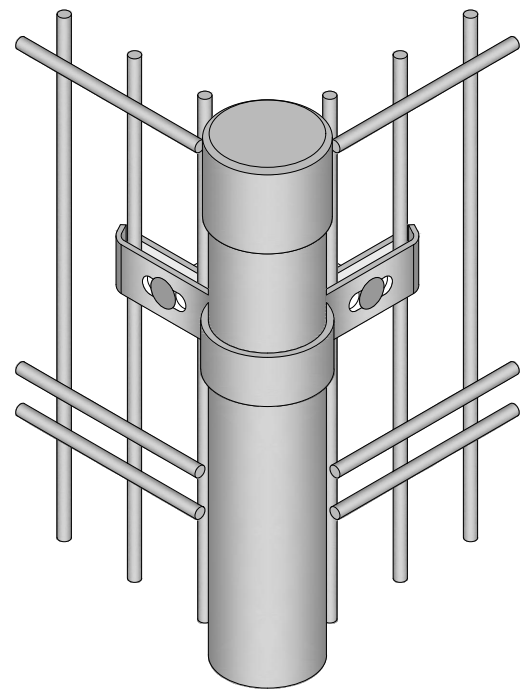
4 Z6 BOTTOM CENTER POST DETAIL
A15 1:6

Z6 FENCE ASSEMBLY DETAILS		Sheet No:
		A
		15

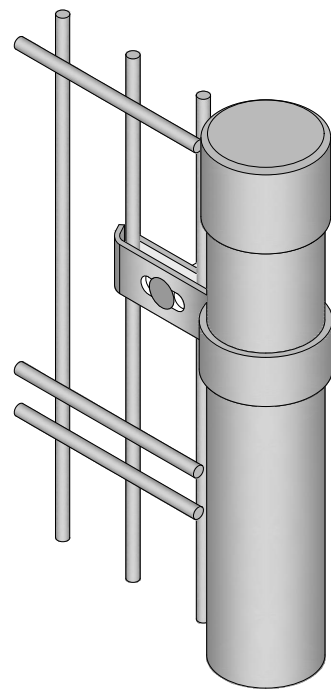




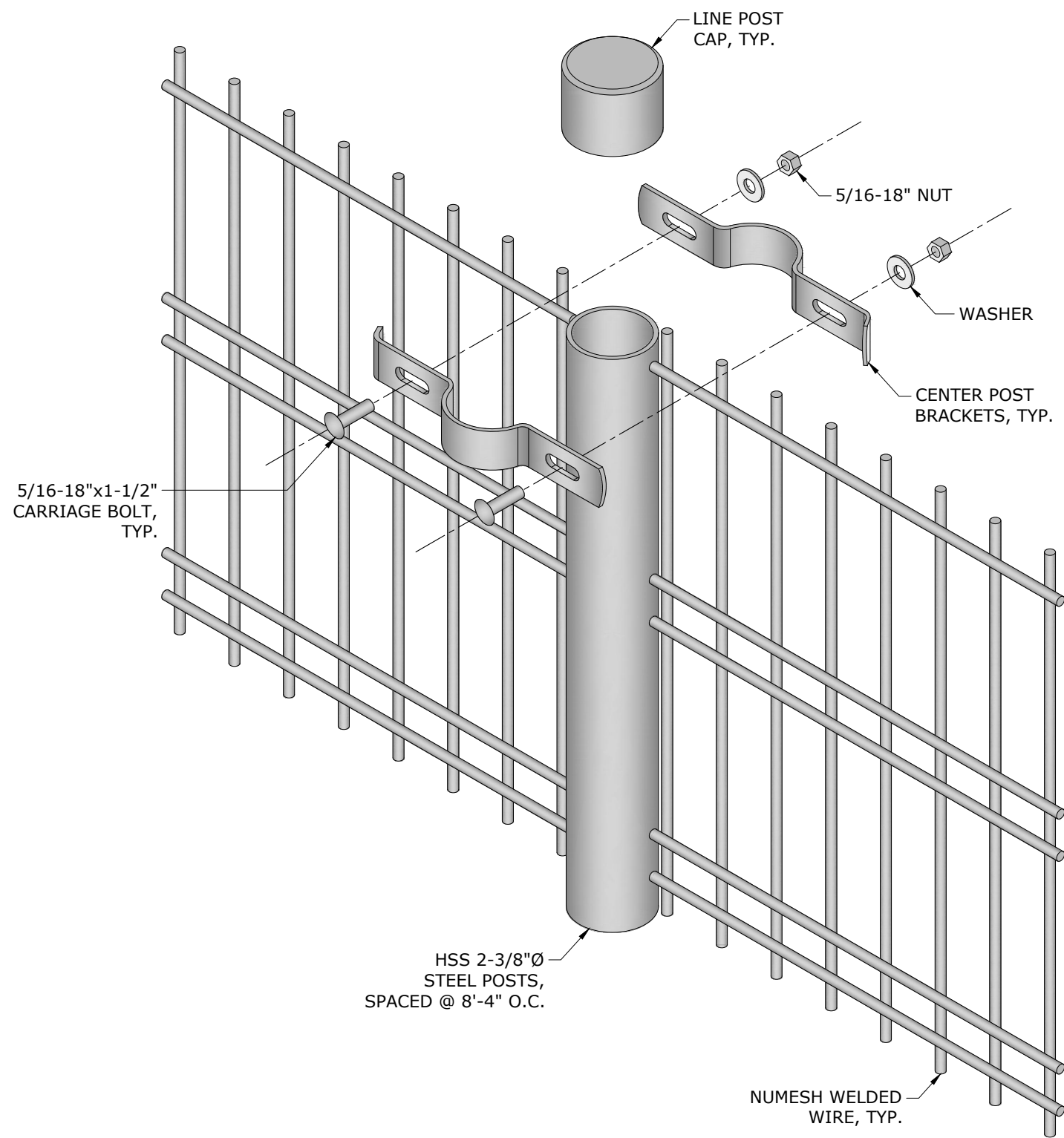
LINE POST CONNECTION



CORNER POST CONNECTION

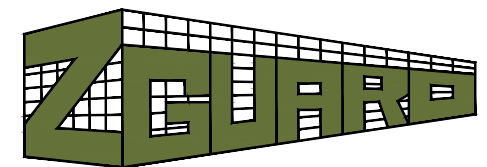


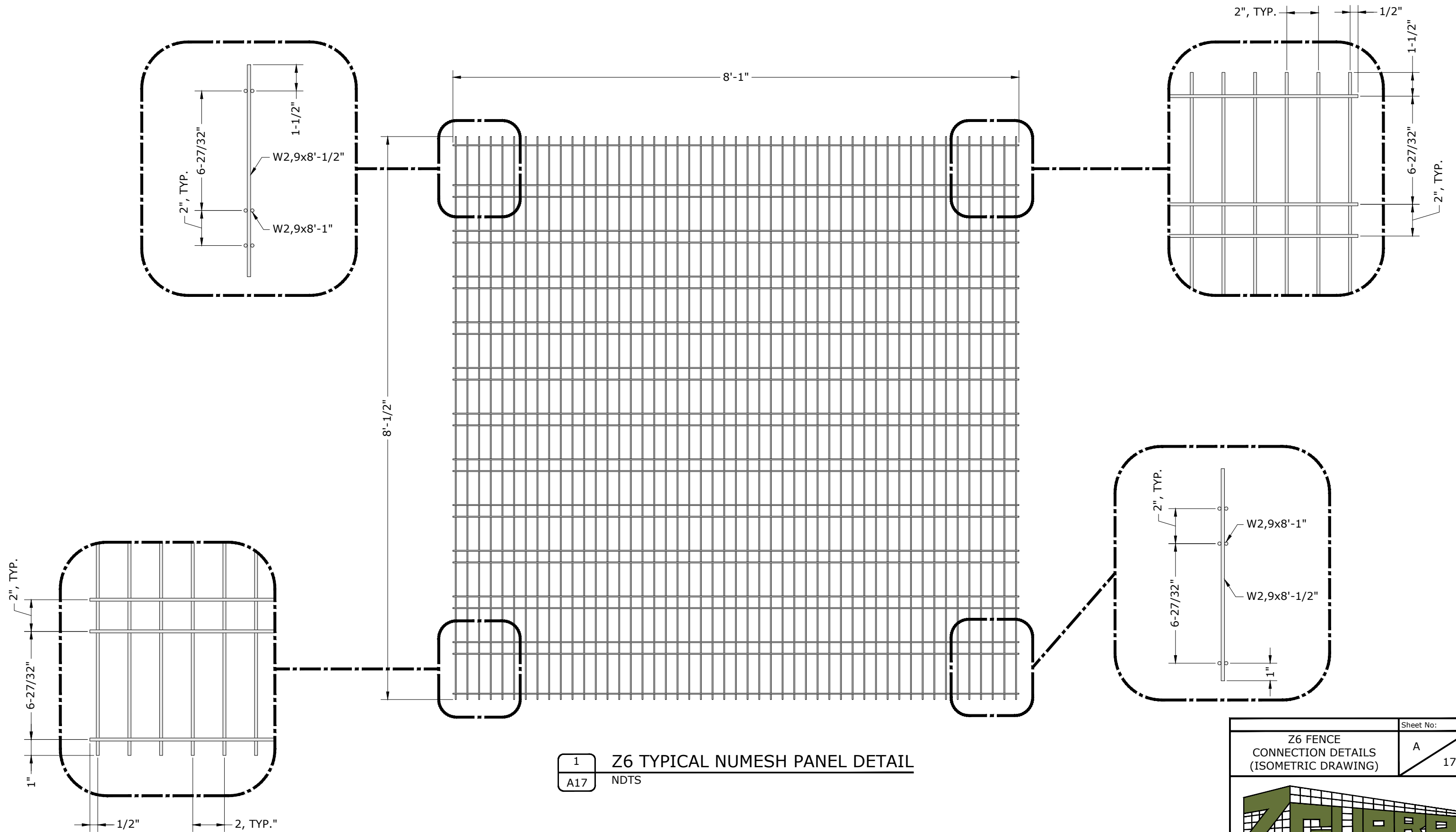
END POST CONNECTION



1 Z6 TYPICAL PANEL CONNECTION DETAIL
A16 NDTs

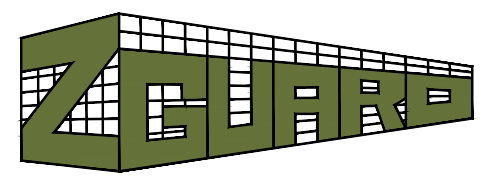
Z6 FENCE CONNECTION DETAILS (ISOMETRIC DRAWING)		Sheet No:
		A
		16

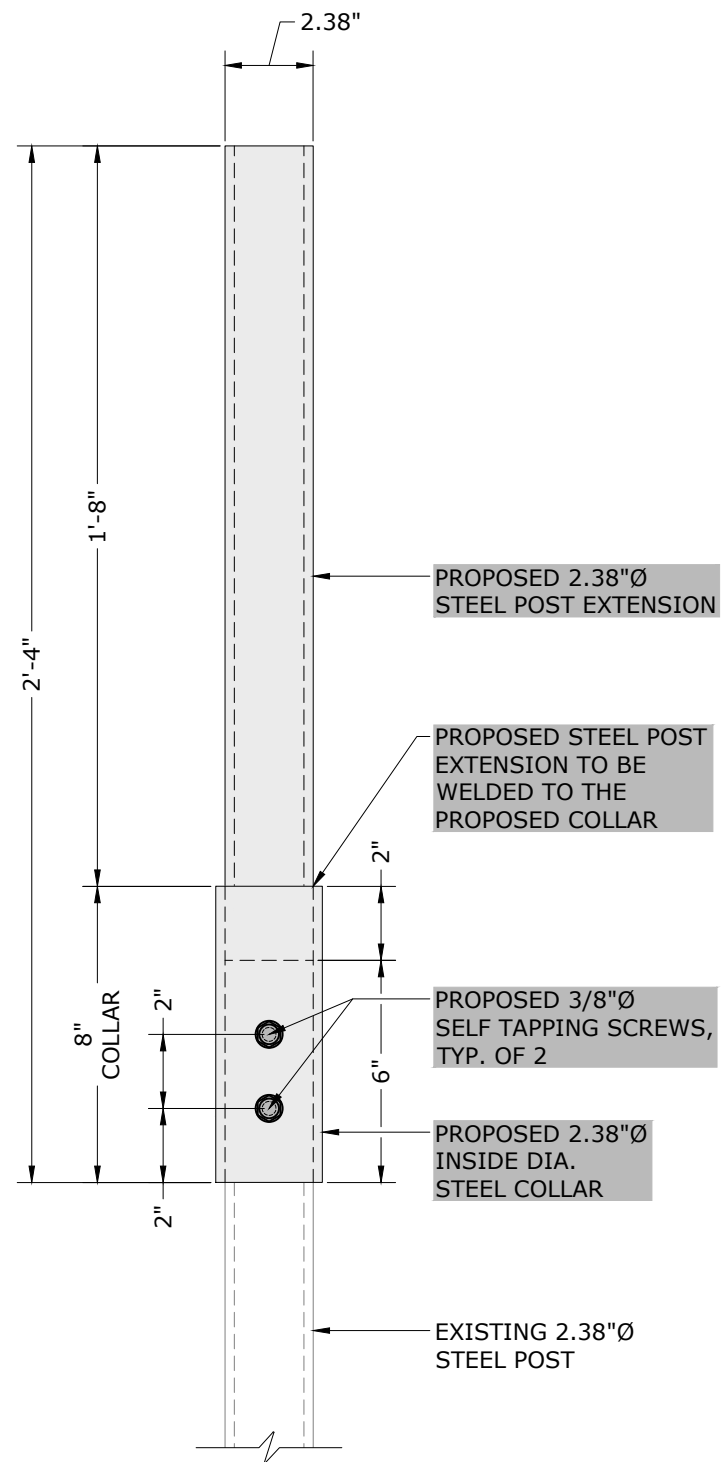




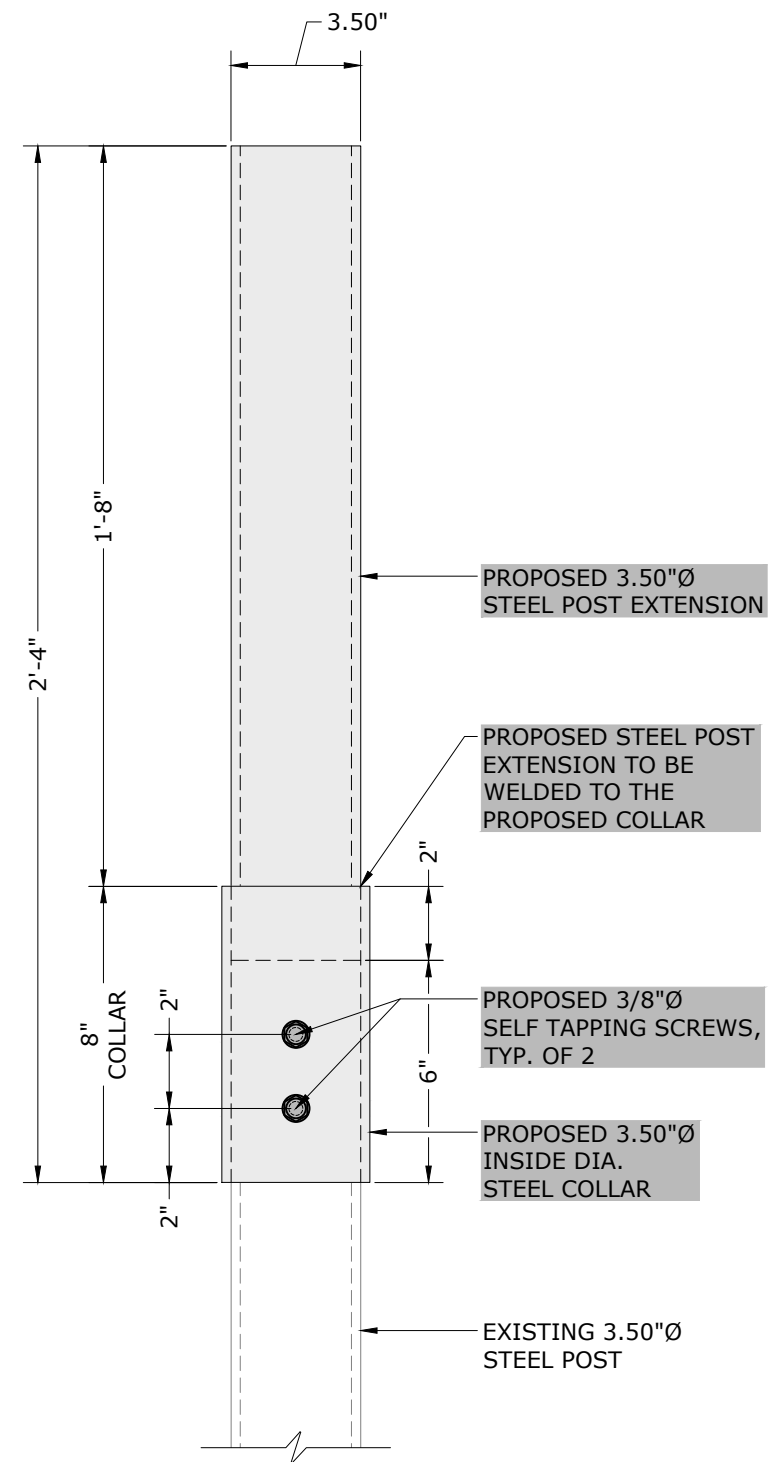
1 Z6 TYPICAL NUMESH PANEL DETAIL
 A17 NDTs

Z6 FENCE CONNECTION DETAILS (ISOMETRIC DRAWING)		Sheet No: A
		17





1 2.38"Ø POST EXTENSION
A18 NDTs



2 3.50"Ø POST EXTENSION
A18 NDTs

Sheet No:	
POST EXTENSION DETAILS	A
	18

